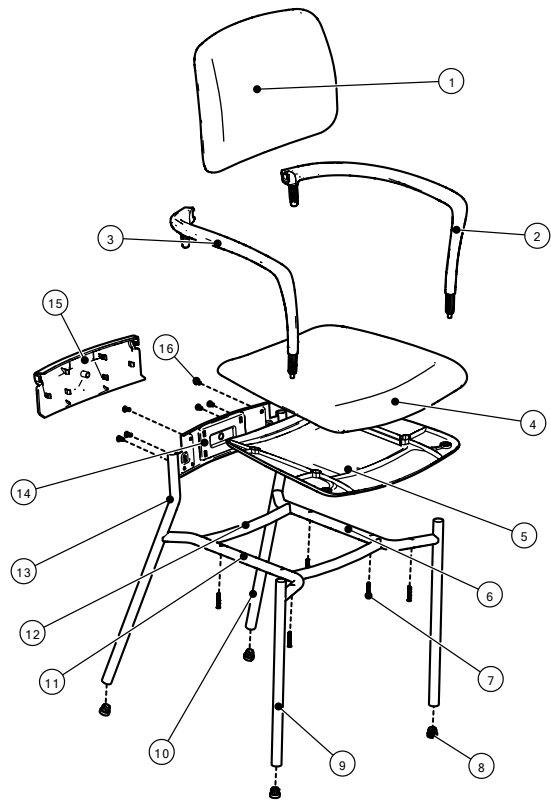


DISASSEMBLY

BOM ID	Description	Qty	Material
1	BACK	1	Plastic, Foam, Fabric
2	PLASTIC ARM LEFT	1	PA GF20
3	PLASTIC ARM RIGHT	1	PA GF20
4	SEAT	1	Plastic, Foam, Fabric
5	SEAT SHROUD	1	PP Copolymer
6	Seat Rail, Left	1	Plain Carbon Steel
7	#10-24 x 1-3/8" FLAT QUAD SCREW	1	Plain Carbon Steel
8	GLIDE	1	PA Type 6
9	Front Leg	1	Plain Carbon Steel
10	Rear Leg, Left	1	Plain Carbon Steel
11	Seat Rail, Right	1	Plain Carbon Steel
12	STRETCHER	1	Plain Carbon Steel
13	Rear Leg, Right	1	Plain Carbon Steel
14	W5 19" Back Support	1	1018 AISI STEEL
15	BACK SHROUD	1	PP Copolymer
16	1/4-20 x 1/2 PAN QUAD MS ZNC SCREW	1	Plain Carbon Steel



IMPORTANT
 Please exercise caution when disassembling your chair for recycling.
 Please ensure that you have the correct tools for disassembly.
 Tools can be sharp and some components are heavy. Orient tools away from the body in case sudden slippage occurs. Global accepts no responsibility for any damage, accident or injury that may occur during disassembly.

Tools Required



Safety Goggles



Utility Knife



Screwdriver

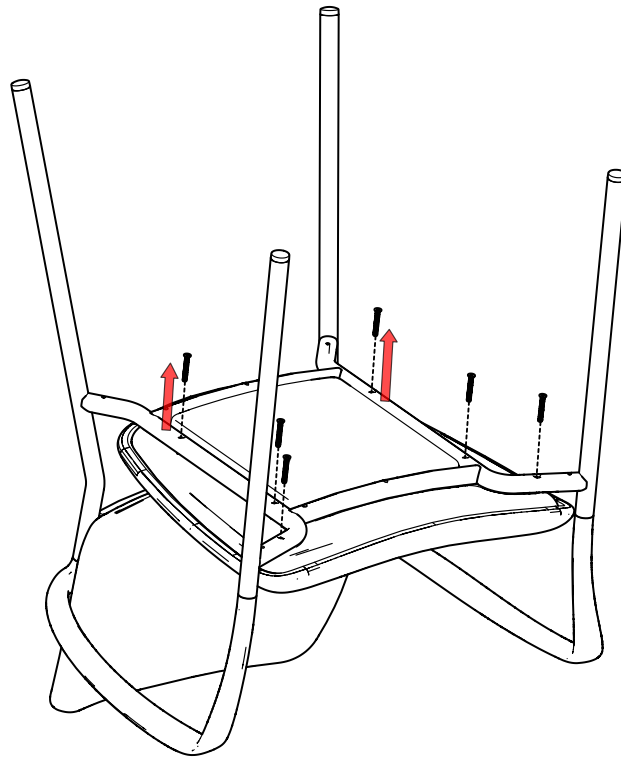


Phillips
Screwdriver

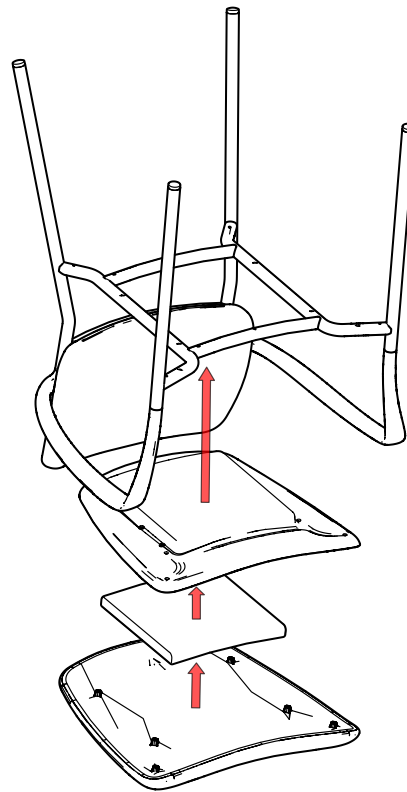


Mallet

1- UNSCREW SEAT



2- DISASSEMBLE SEAT



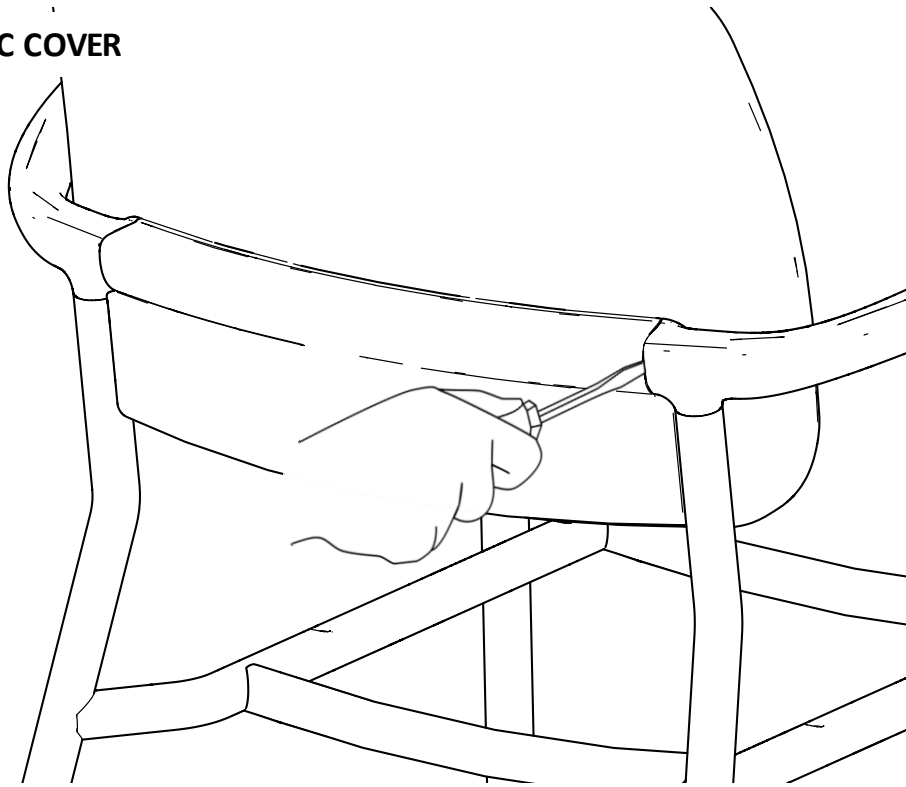
FRAME

SHROUD

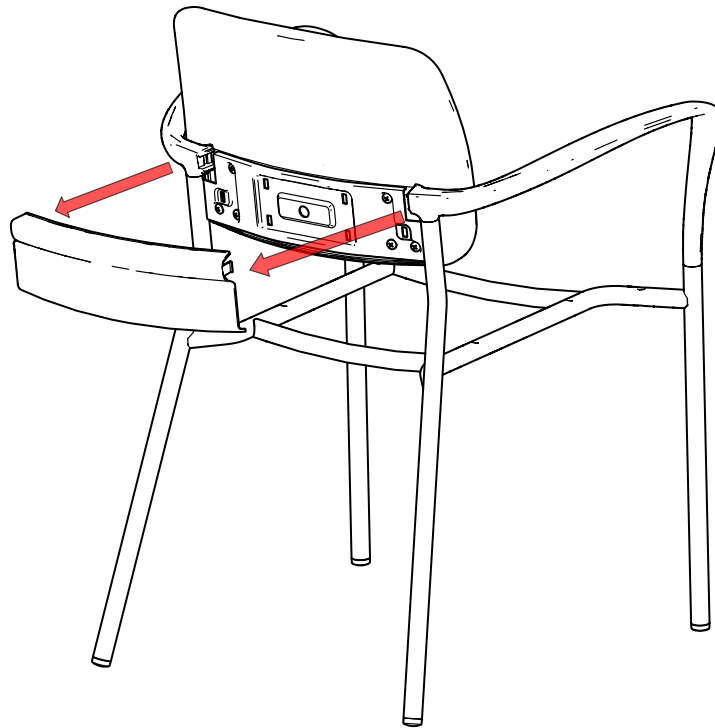
**COUNTERWEIGHT
(OPTION)**

SEAT

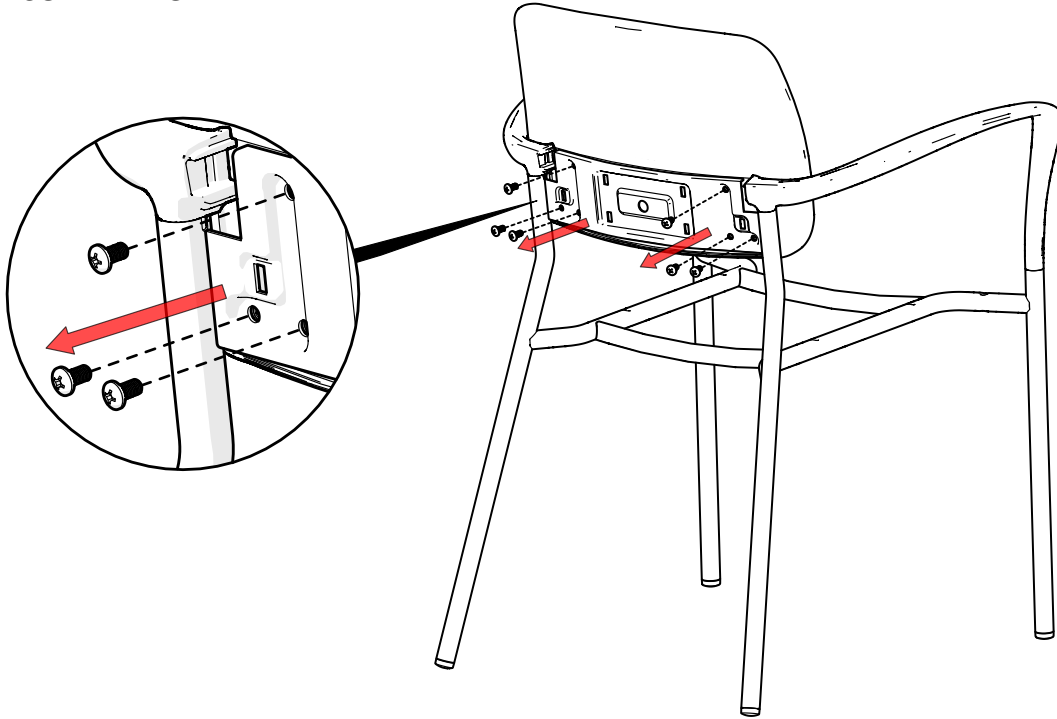
3- PRY OUT PLASTIC COVER



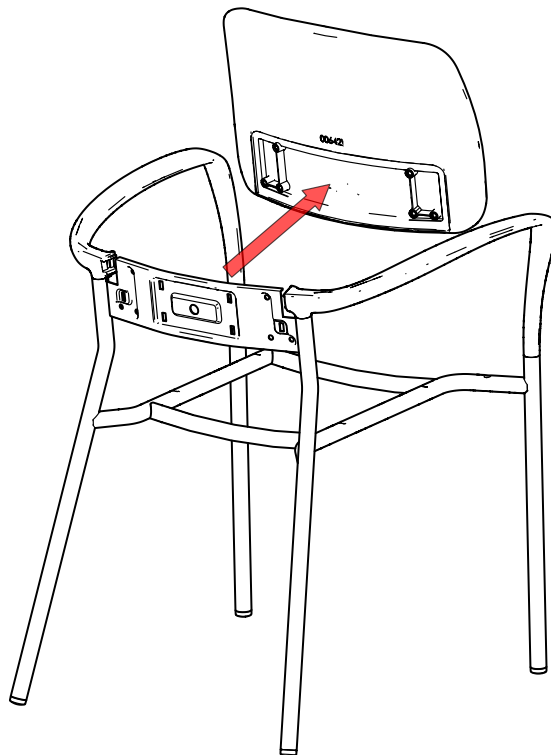
4- REMOVE PLASTIC COVER



5- UNSCREW BACK



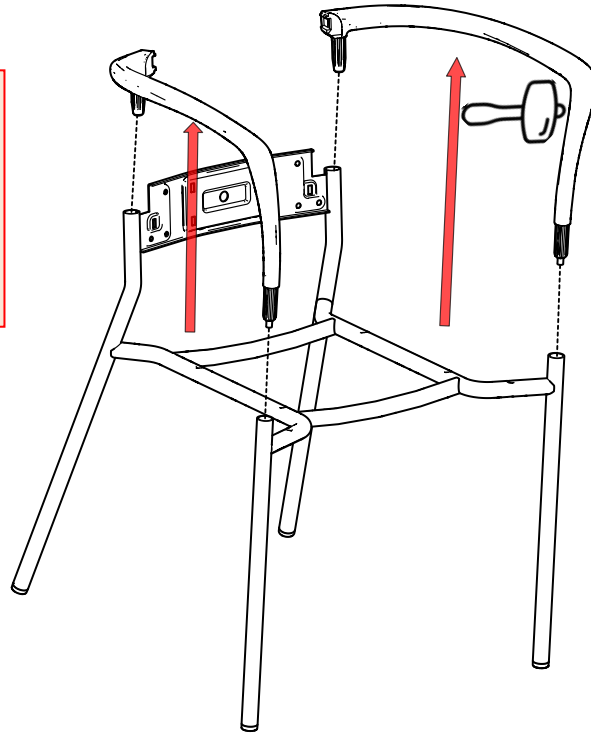
6- REMOVE BACK



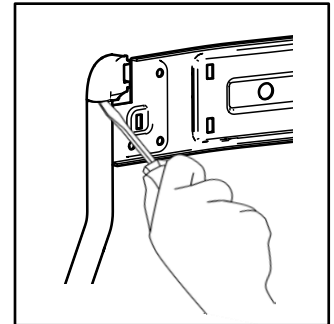
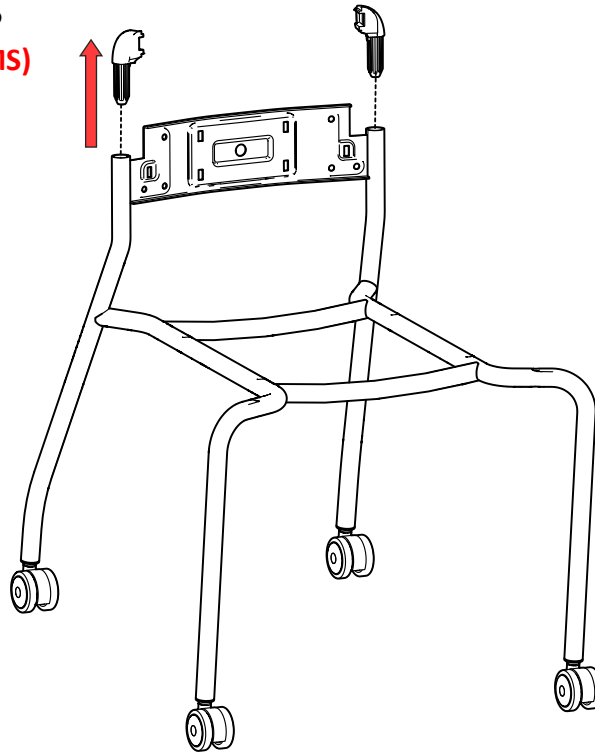
7- REMOVE ARMS

NOTE:

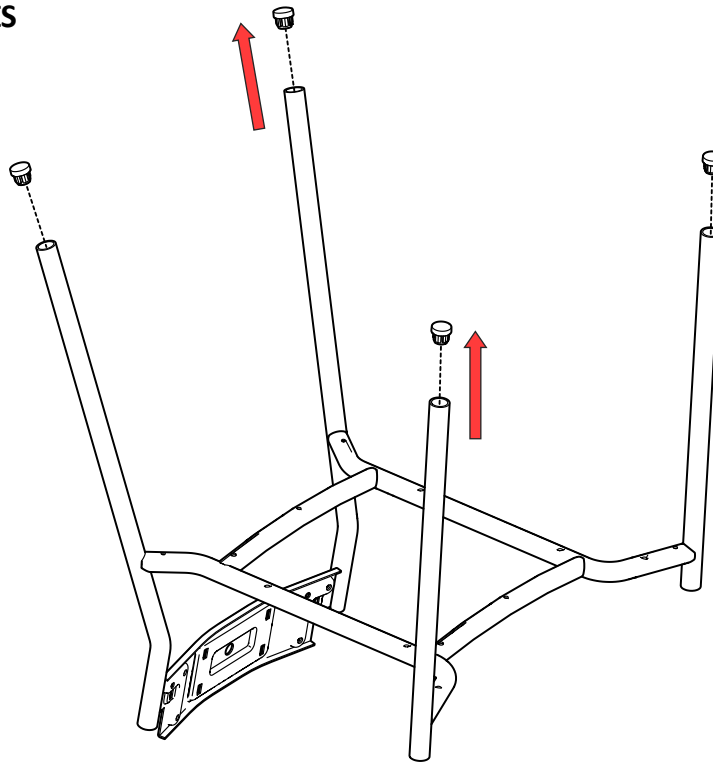
**HAMMER ARMS OUT
OF THE FRAME.
HAMMER CLOSE TO
THE FRONT.**



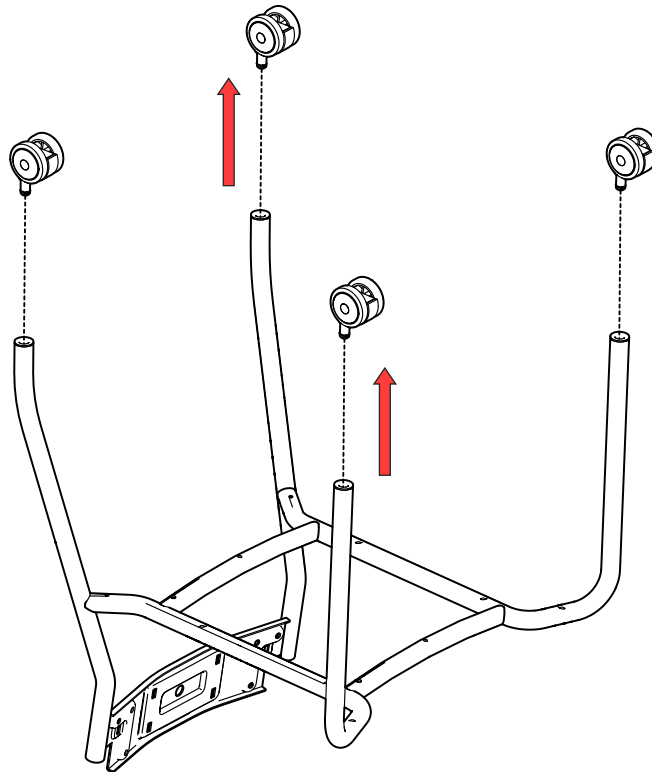
7.1- REMOVE PLASTIC CAP (MODEL WITH NO ARMS)



8- REMOVE GLIDES



8.1- REMOVE CASTERS



END