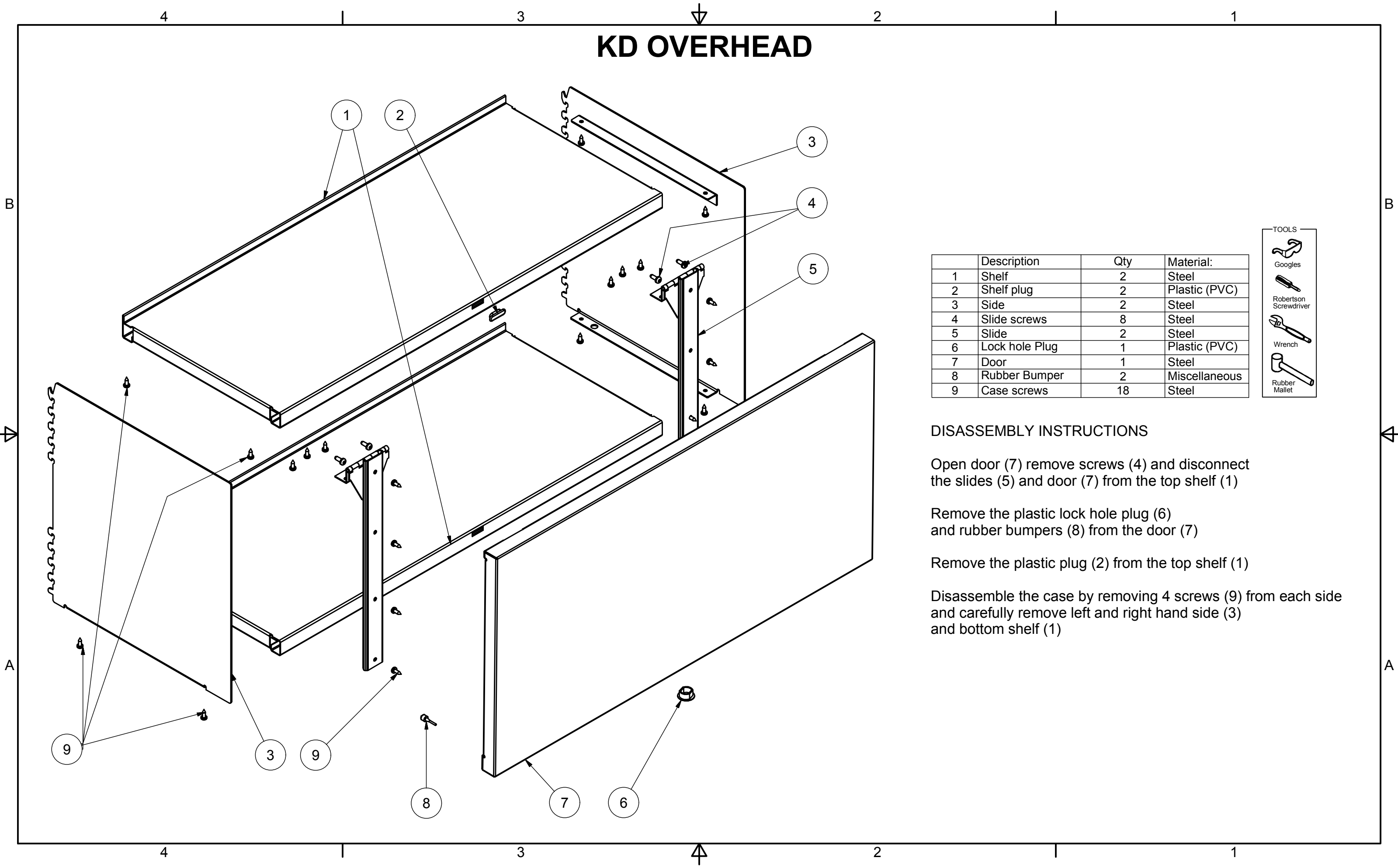


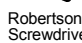



KD OVERHEAD



	Description	Qty	Material:
1	Shelf	2	Steel
2	Shelf plug	2	Plastic (PVC)
3	Side	2	Steel
4	Slide screws	8	Steel
5	Slide	2	Steel
6	Lock hole Plug	1	Plastic (PVC)
7	Door	1	Steel
8	Rubber Bumper	2	Miscellaneous
9	Case screws	18	Steel

- TOOLS
-  Goggles
 -  Robertson Screwdriver
 -  Wrench
 -  Rubber Mallet

DISASSEMBLY INSTRUCTIONS

Open door (7) remove screws (4) and disconnect the slides (5) and door (7) from the top shelf (1)

Remove the plastic lock hole plug (6) and rubber bumpers (8) from the door (7)

Remove the plastic plug (2) from the top shelf (1)

Disassemble the case by removing 4 screws (9) from each side and carefully remove left and right hand side (3) and bottom shelf (1)