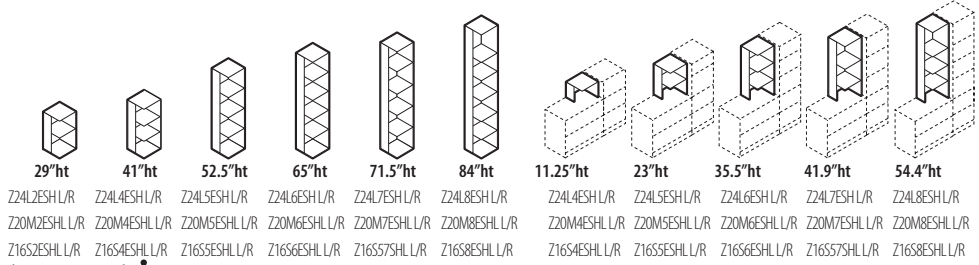




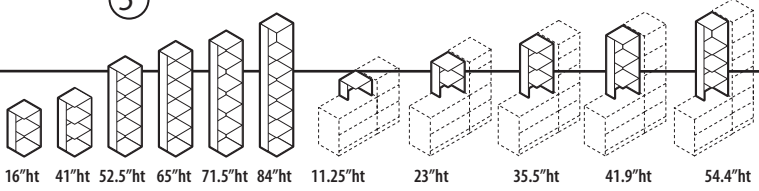
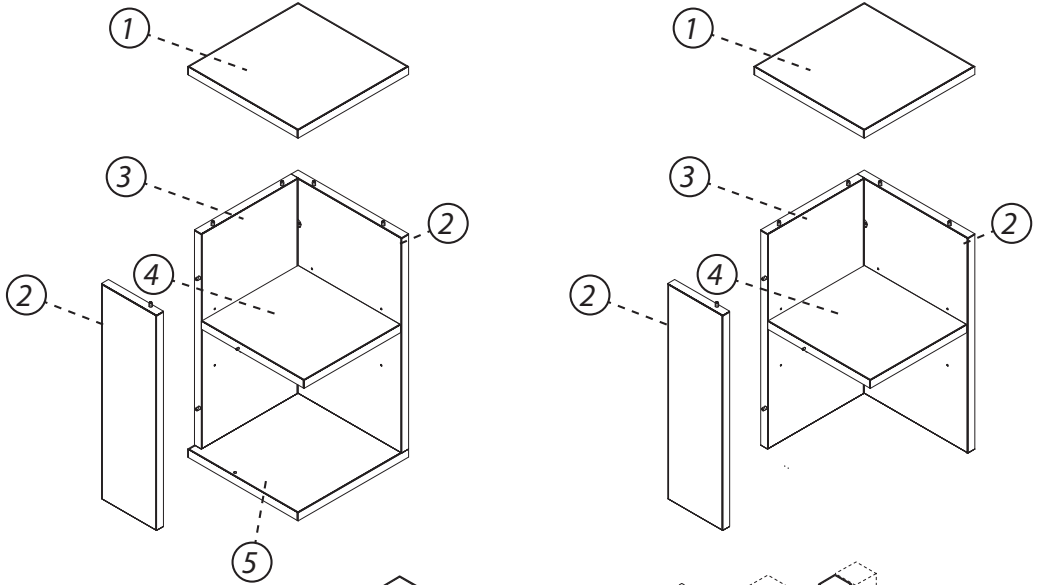
ZIRA

End Shelf
Table Top End Shelf



Disassembly Instructions

TOOLS REQUIRED



ITEM	DESCRIPTION	QUANTITIES											MATERIAL		
		16"ht	41"ht	52.5"ht	65"ht	71.5"ht	84"ht	11.25"ht	23"ht	35.5"ht	41.9"ht	54.4"ht			
1	TOP	1	1	1	1	1	1	1	1	1	1	1	1	1	PARTICLEBOARD
2	SIDE	2	2	2	2	2	2	2	2	2	2	2	2	2	PARTICLEBOARD
3	BACK	1	1	1	1	1	1	1	1	1	1	1	1	1	PARTICLEBOARD
4	SHELF	1	2	3	4	4	5		1	2	2		3	PARTICLEBOARD	
5	BOTTOM	1	1	1	1	1	1							PARTICLEBOARD	
6	SCREWS/BOLTS	18	24	30	34	35	39	9	14	21	21		25	STEEL	

Please contact Global Customer Care at 905-660-5101 for any questions or concerns.

STEPS

- A** Turn unit. Untighten Blum and Rafix Connectors. Unscrew and remove leveler.
- B** Unscrew Blum and Rafix bolts.

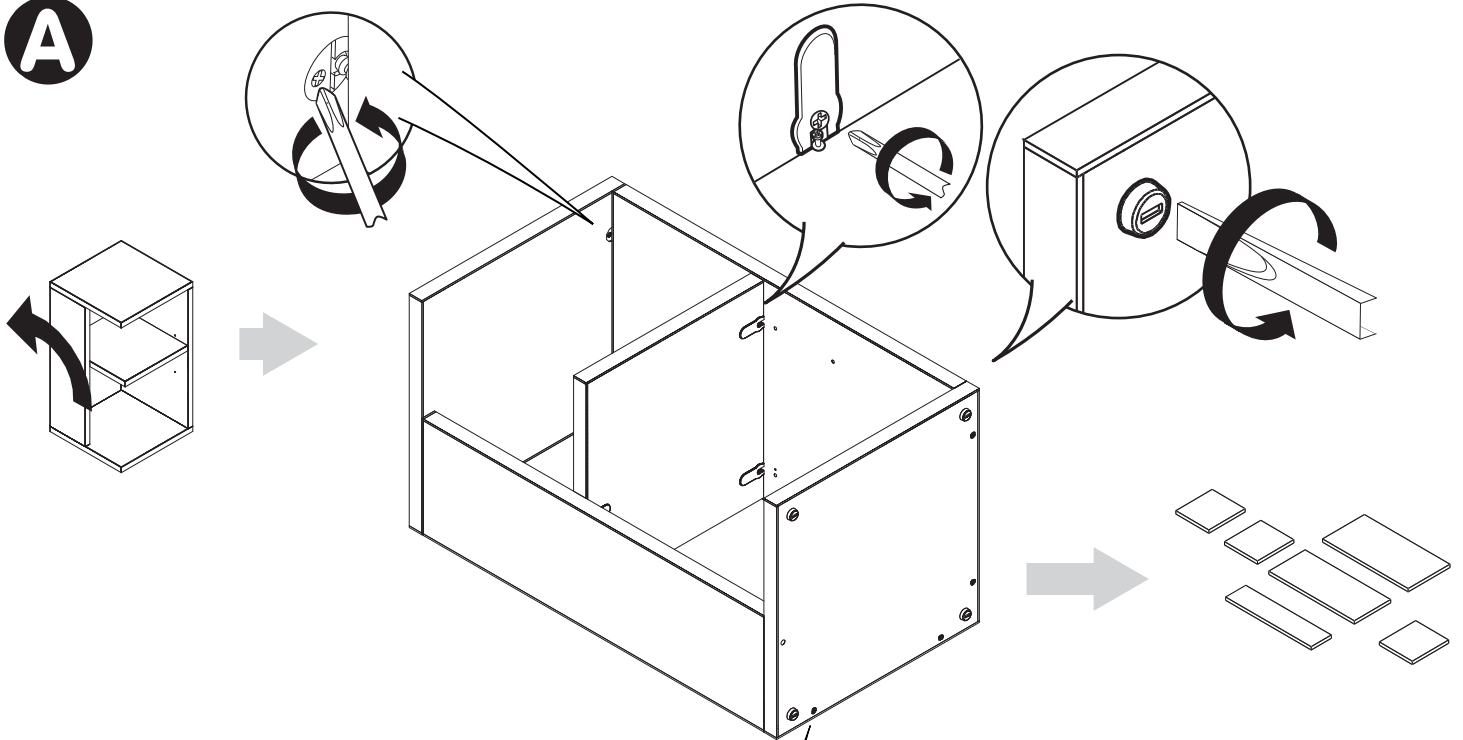
NOTE: Any alterations to listed components will void the manufacturer's warranty. The manufacturer will not be responsible for any damage or bodily harm caused by alterations in accordance with national or local electrical codes and manufacturer's specifications. In accordance with the manufacturer's policy of continual product improvement, the product presented in this document is subject to change without notice or obligation.

Z-Dis 44 rev: 00

A

Blum Connector

Rafix Connector



B

Blum Bolt

