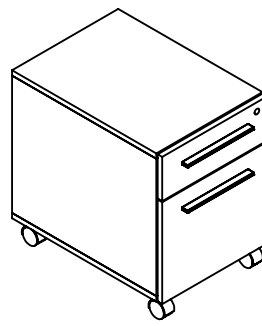


Princeton

Pedestal

Disassembly Instructions



PN22MBF

Product designed for disassembly
in a reasonable time frame.(5 minutes or less)

ITEM	DESCRIPTION	QTY	MATERIAL
1	TOP PANEL	1	PARTICLE BOARD
2	GABLE LEFT	1	PARTICLE BOARD
3	GABLE RIGHT	1	PARTICLE BOARD
4	BACK PANEL	1	PARTICLE BOARD
5	BOTTOM PANEL	1	PARTICLE BOARD
6	DRAWER BOX FRONT	1	PARTICLE BOARD
7	DRAWER FILE FRONT	1	PARTICLE BOARD
8	DRAWER BOX	1	PARTICLE BOARD
9	DRAWER FILE	1	PARTICLE BOARD
10	TITUS CAM	20	STEEL
11	TITUS DOWEL	20	STEEL
12	CASTER WITH BRAKE	4	STEEL&PLASTIC
13	CASTER WITHOUT BRAKE	4	STEEL&PLASTIC
14	WOOD SCREW	48	STEEL
15	SLIDES/PAIR	2	STEEL
16	HANDLES	2	ALUMINUM

Required tools:

Phillips screwdriver size #2



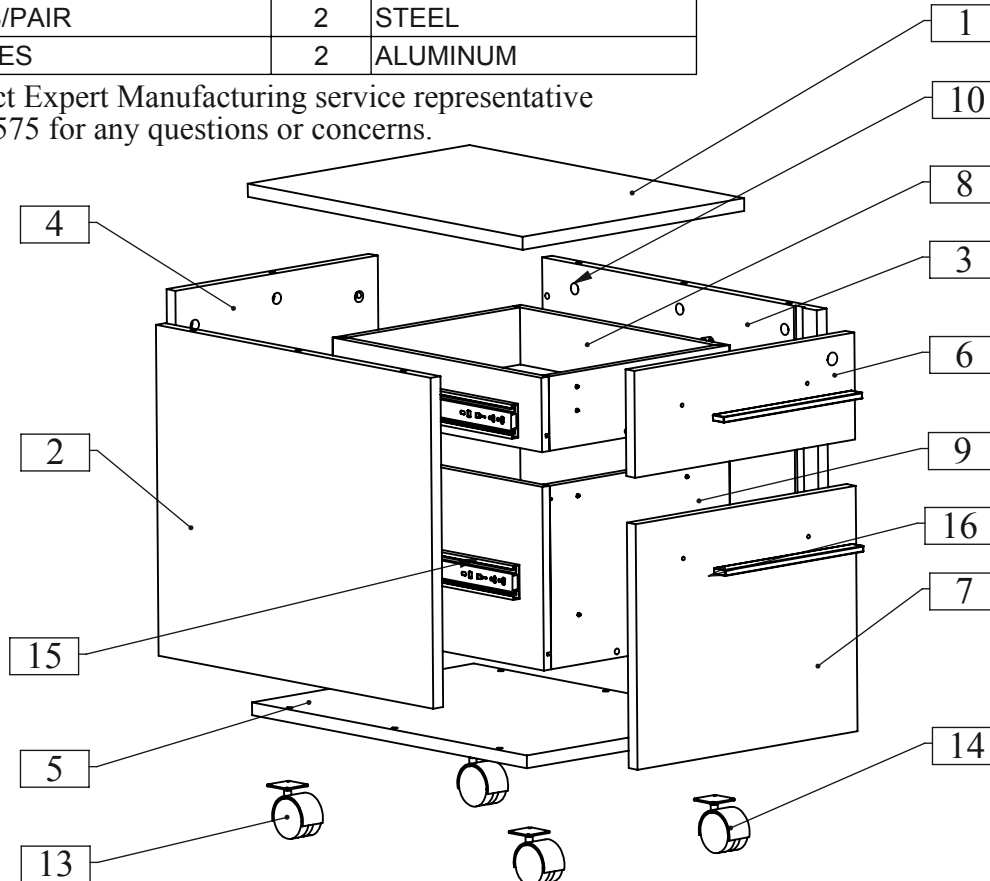
Rubber mallet



Safety glasses

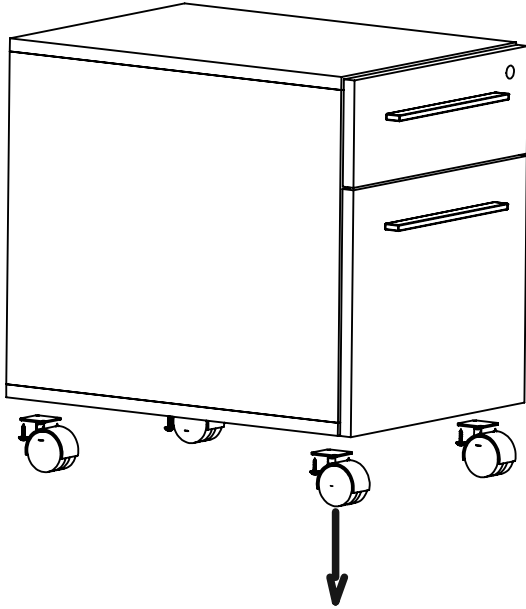
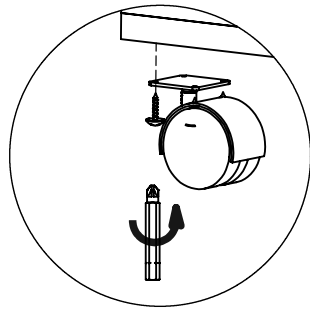


Please contact Expert Manufacturing service representative
at 905.738.7575 for any questions or concerns.

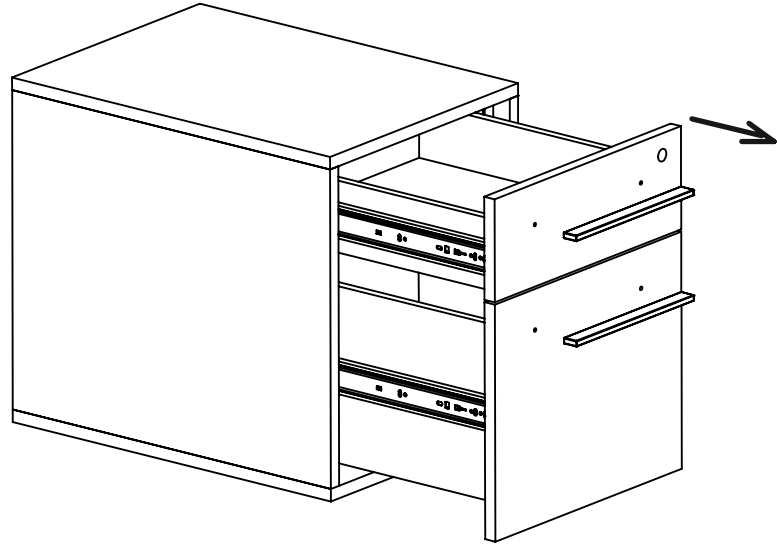
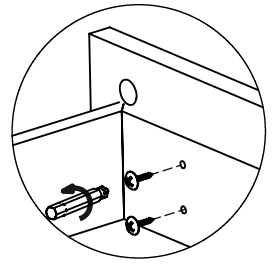


NOTE: Any alteration to listed components will void the manufacturer's warranty. The manufacturer will not be responsible for any damage or bodily harm caused by alterations in accordance with national or local electrical codes and manufacturer's specifications. In accordance with the manufacturer's policy of continual product improvement, the product presented in this document is subject to change without notice or obligation.

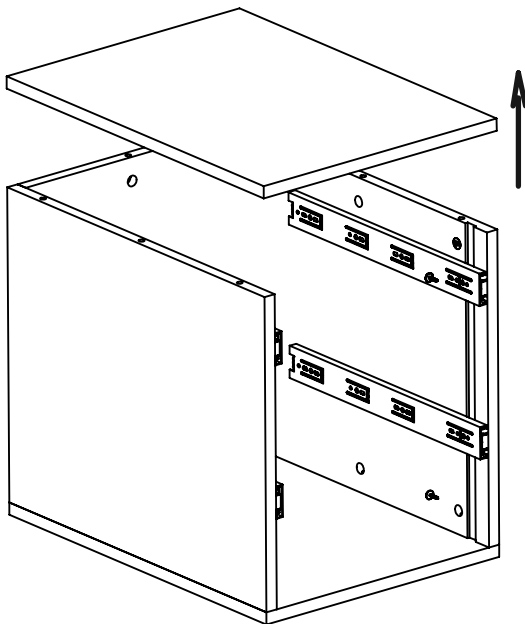
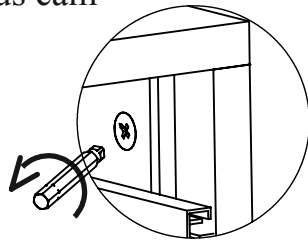
Step 1



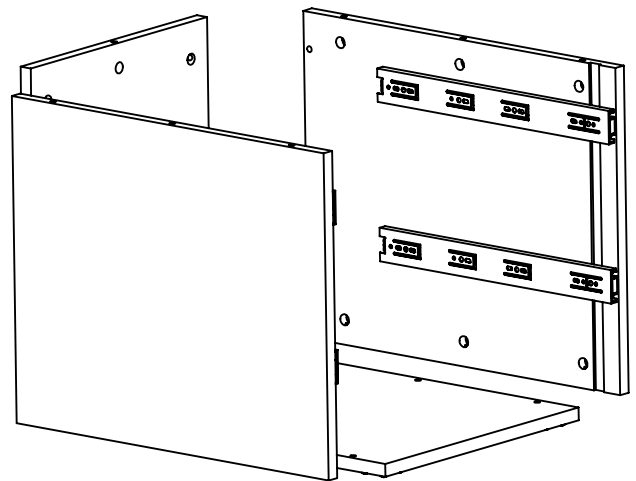
Step 2



Step 3 Untighten Titus cam



Step 4



NOTE: Any alteration to listed components will void the manufacturer's warranty. The manufacturer will not be responsible for any damage or bodily harm caused by alterations in accordance with national or local electrical codes and manufacturer's specifications. In accordance with the manufacturer's policy of continual product improvement, the product presented in this document is subject to change without notice or obligation.