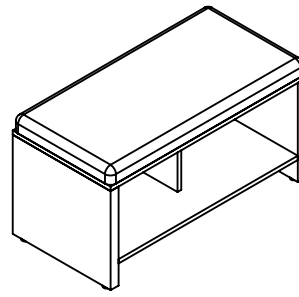


Princeton

Open Bench

Disassembly Instructions



PN1836BNC
PN1848BNC

Product designed for disassembly
in a reasonable time frame.(5 minutes or less)

ITEM	DESCRIPTION	QTY	MATERIAL
1	TOP PANEL	1	PARTICLE BOARD
2	GABLE LEFT	1	PARTICLE BOARD
3	GABLE RIGHT	1	PARTICLE BOARD
4	BACK PANEL	1	PARTICLE BOARD
5	BOTTOM PANEL	10	PARTICLE BOARD
6	DIVIDER	10	PARTICLE BOARD
7	CUSHION	4	FOAM
8	TITUS CAM	28	STEEL
9	TITUS DOWEL	28	STEEL
10	ADJUSTABLE LEVELLER	4	STEEL&PLASTIC
11	INSERT NUT	4	STEEL
12	CONFIRMAT SCREW	2	STEEL

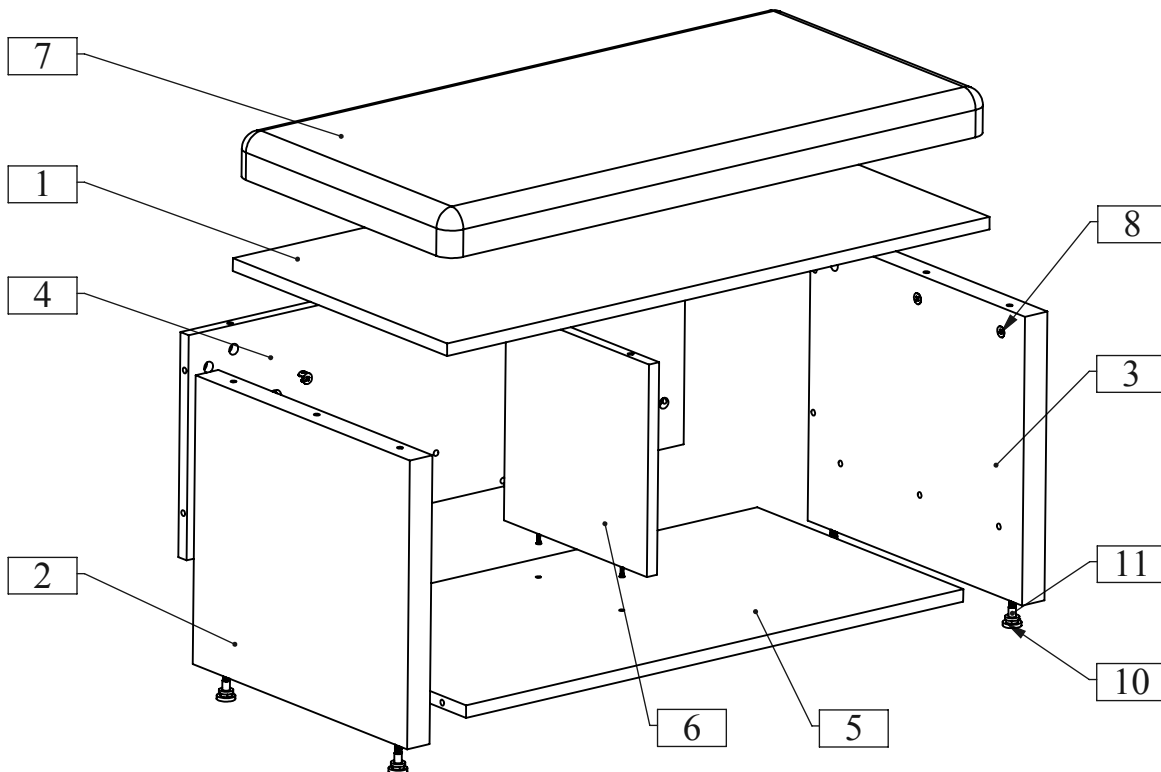
Required tools:

Phillips screwdriver size #2 

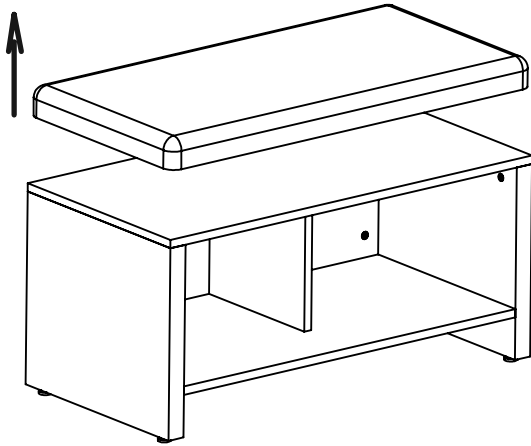
Rubber mallet 

Safety glasses 

Please contact Expert Manufacturing service representative
at 905.738.7575 for any questions or concerns.

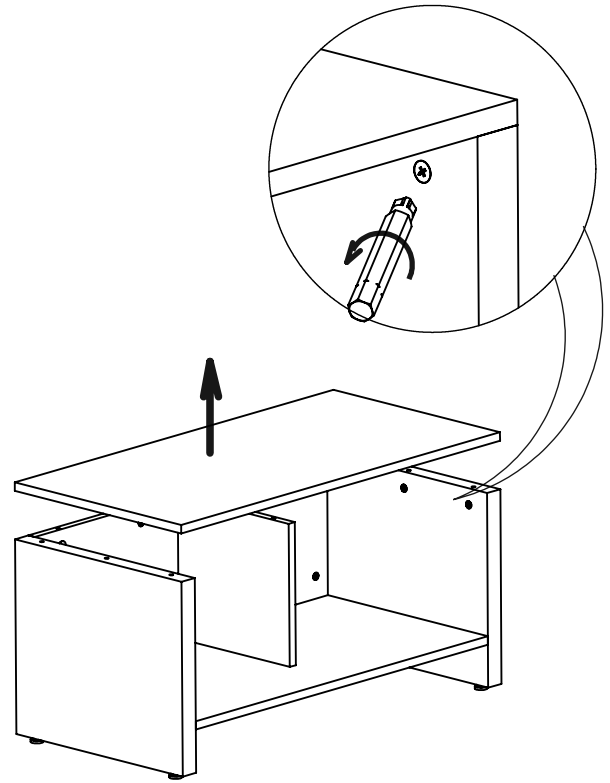


Step 1

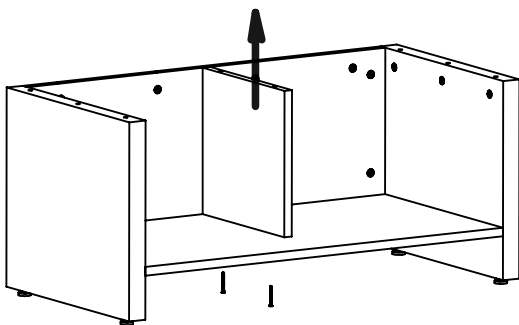
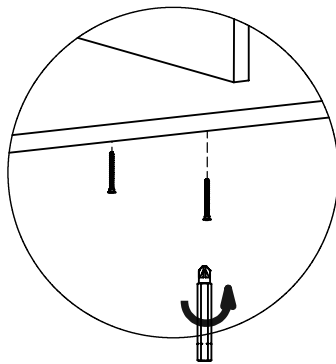


Step 2

Untighten Titus cam

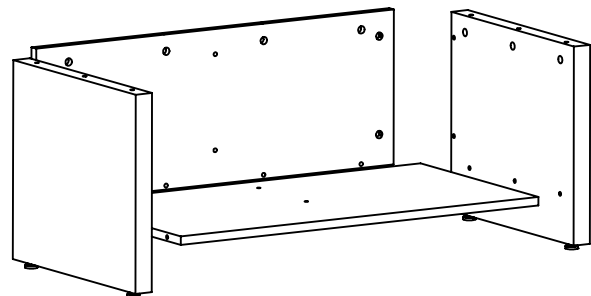
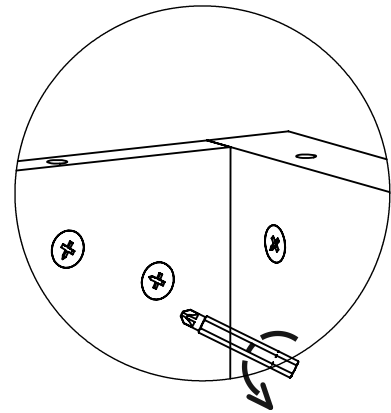


Step 3



Step 4

Untighten Titus cam



NOTE: Any alteration to listed components will void the manufacturer's warranty. The manufacturer will not be responsible for any damage or bodily harm caused by alterations in accordance with national or local electrical codes and manufacturer's specifications. In accordance with the manufacturer's policy of continual product improvement, the product presented in this document is subject to change without notice or obligation.