

LCLxxxxF

Single pedestal credenza

Item#	Description	Qty	Material
1	TOP	1	Particle Board
2	SLAB	3	Particle Board
3	BACK	1	Particle Board
4	PEDESTAL BOTTOM	1	Particle Board
5	PEDESTAL KICKPLATE	1	Particle Board
6	FRONT	2	Particle Board
7	DRAWER	2	Plywood/Particle Board
8	SLIDE RAIL	4	Steel
9	SLIDE	4	Steel
10	STOPPER	2	Steel
11	LOCK	1	Steel
12	LOCKING BAR	1	Steel
13	ANTITILT BAR	1	Steel, Plastic (PVC#3)
14	BRACKET	28	Steel
15	LEVELER & INSERT	6	Steel, Plastic (PVC#3)
16	CLEAT	1	Solid Wood
17	PLASTIC SPACER	3	Plastic (PVC#3)
18	FILING BAR	2	Steel
19	SCREWS	180	Steel

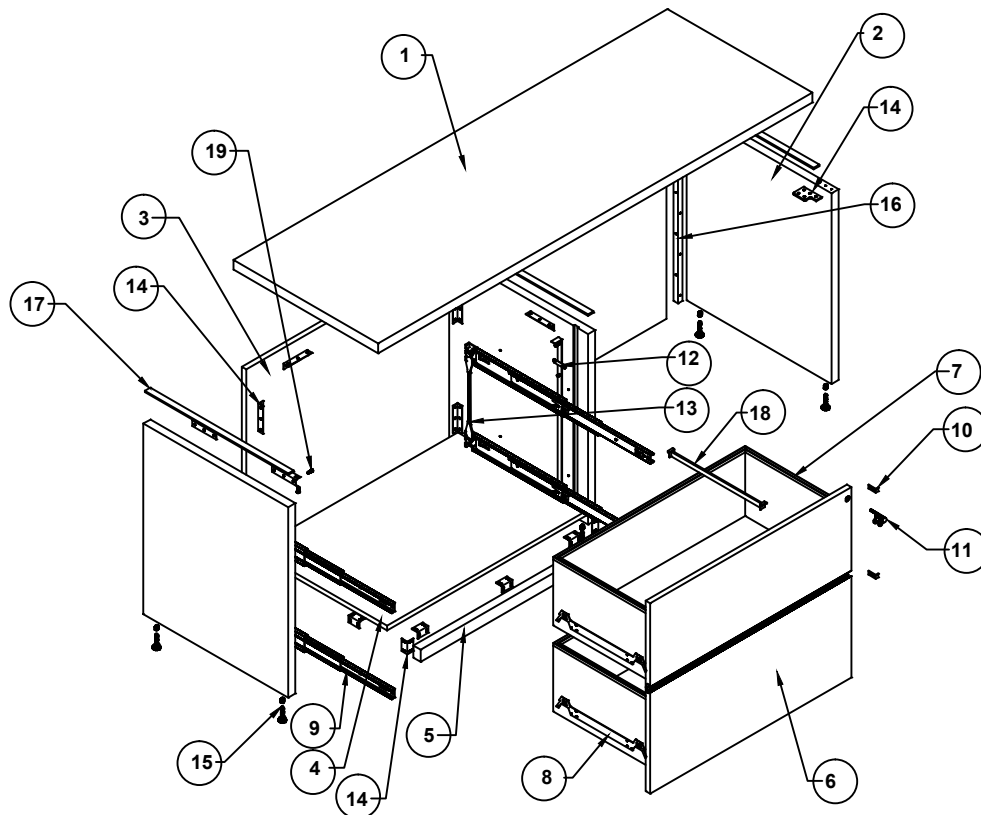
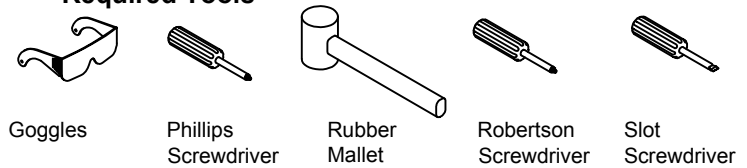
**DISASSEMBLY INSTRUCTIONS**

Product designed for disassembly in a reasonable time frame.

- a. Remove filing bars (18) from the drawers (7).
- b. Remove drawers (7) by lifting them up.
- c. Unscrew slide rails (8) and stoppers (10) from the drawers.
- c. Unscrew the lock (11) from the front (6).
- e. Unscrew slides (9) from inside of the cabinet.
- f. Remove the locking bar (12) and antitilt bar (13).
- g. Disassemble all wood components by removing screws from the brackets (14) and cleats (16).
- h. Remove all brackets (14).
- i. Unscrew all glides (15)

Please contact

**Required Tools**



NOTE: Any alterations to listed components will void the manufacturer's warranty. The manufacturer will not be responsible for any damage or bodily harm caused by alterations in accordance with national or local electrical codes and manufacturer's specifications. In accordance with the manufacturer's policy of continual product improvement, the product presented in this document is subject to change without notice or obligation.