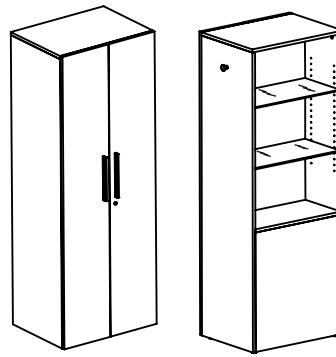


**Generic
Cabinet**



Disassembly Instructions

Product designed for disassembly
in a reasonable time frame.(5 minutes or less)

ITEM	DESCRIPTION	QTY	MATERIAL
1	TOP PANEL	1	PARTICLE BOARD
2	GABLE LEFT	1	PARTICLE BOARD
3	GABLE RIGHT	1	PARTICLE BOARD
4	BACK PANEL	1	PARTICLE BOARD
5	BOTTOM PANEL	1	PARTICLE BOARD
6	FIXED SHELF	1	PARTICLE BOARD
7	DOOR FRONT	2	PARTICLE BOARD
8	BASEBOARD	1	PARTICLE BOARD
9	GLASS SHELF	2	GLASS
10	SHORT COAT HOOK	1	ALUMINUM
11	LONG COAT HOOK	1	ALUMINUM
12	HANDLES	2	ALUMINUM
13	TITUS CAM	36	STEEL
14	TITUS DOWEL	36	STEEL
15	CORNER BRACKET	4	STEEL
16	LEVELLER	4	STEEL&PLASTIC
17	INSERT	2	STEEL
18	SHELF SUPPORT	8	STEEL
19	HINGE	6	STEEL
20	MOUNTING PLATE	6	STEEL

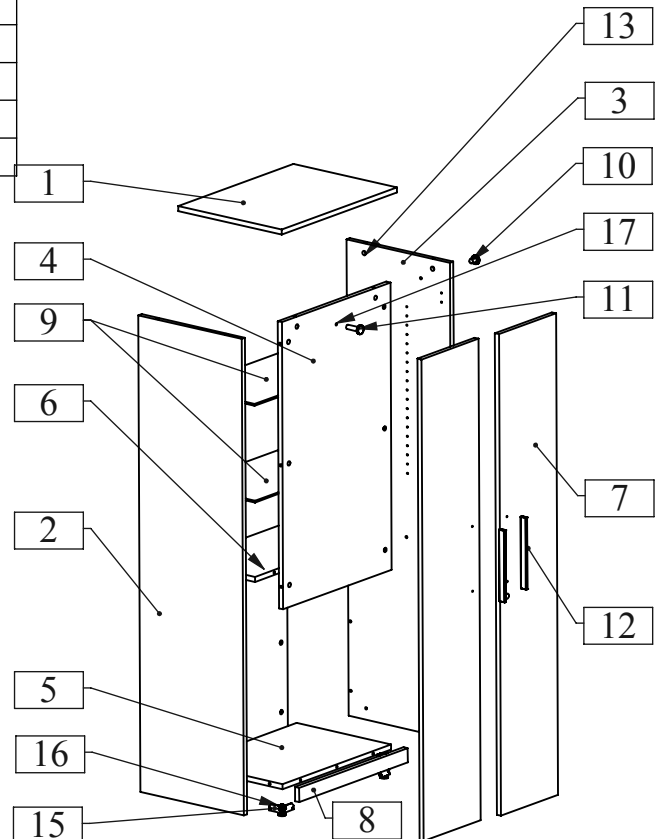
Required tools:

Phillips screwdriver size #2 

Rubber mallet 

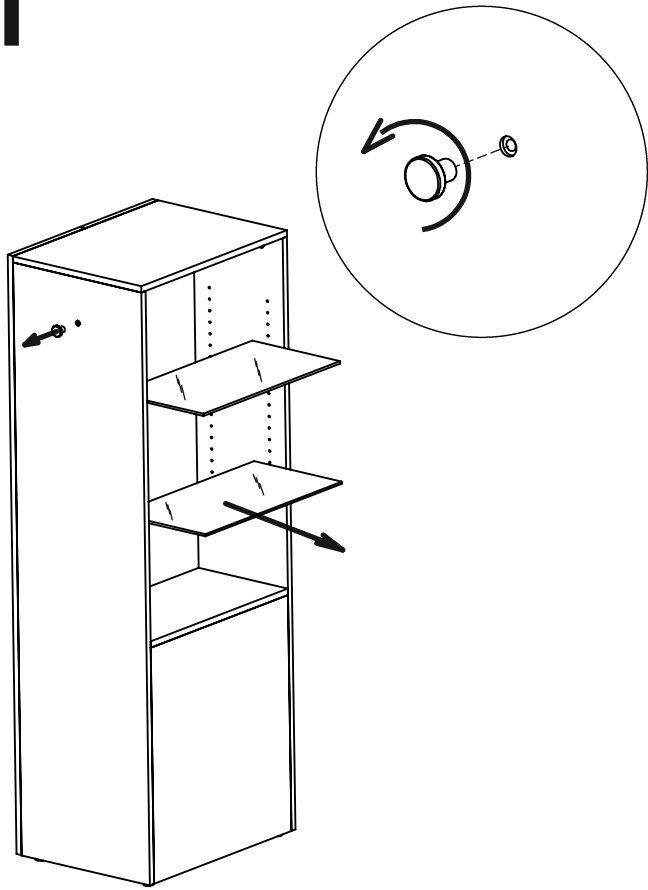
Safety glasses 

Please contact Expert Manufacturing service representative
at 905.738.7575 for any questions or concerns.

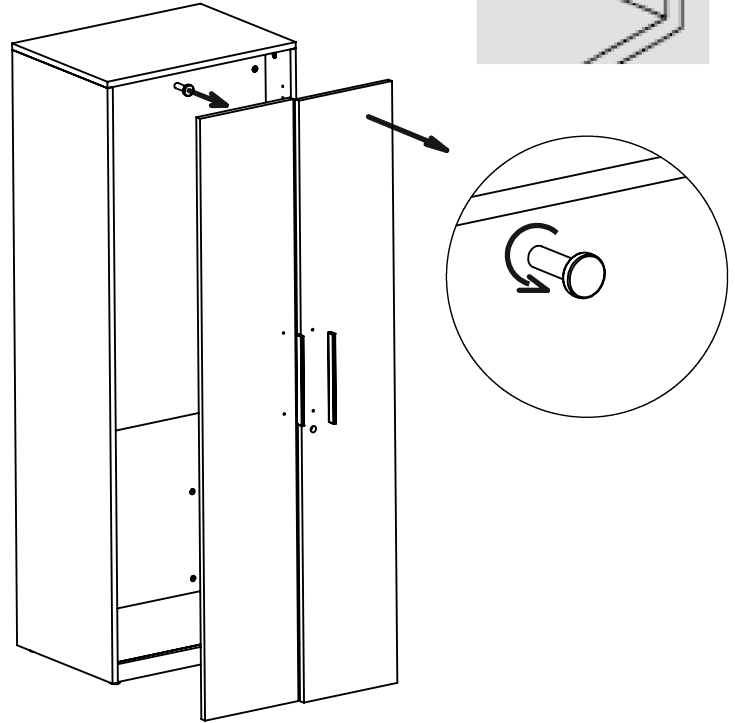


NOTE:Any alteration to listed components will void the manufacturer's warranty.The manufacturer will not be responsible for any damage or bodily harm caused by alterations in accordance with national or local electrical codes and manufacturer's specifications.In accordance with the manufacturer's policy of continual product improvement, the product presented in this document is subject to change without notice or obligation.

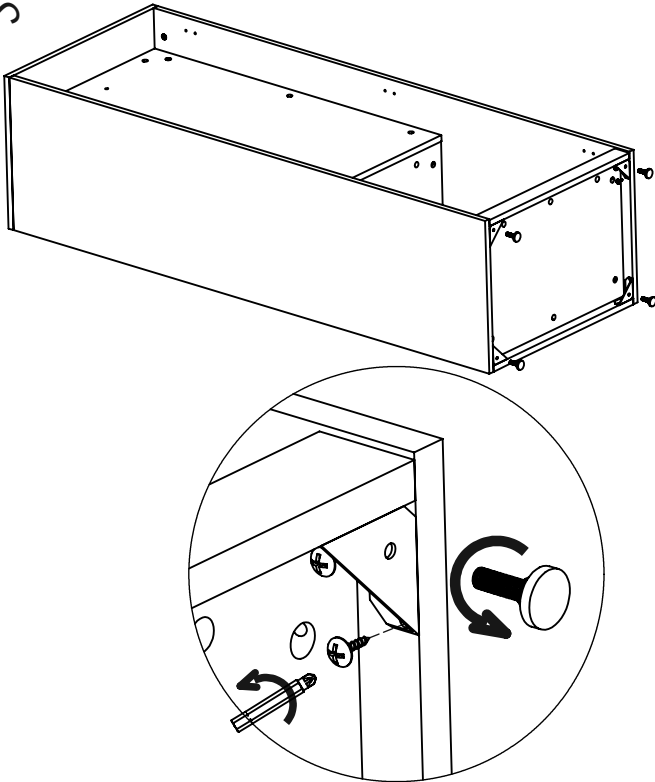
Step 1



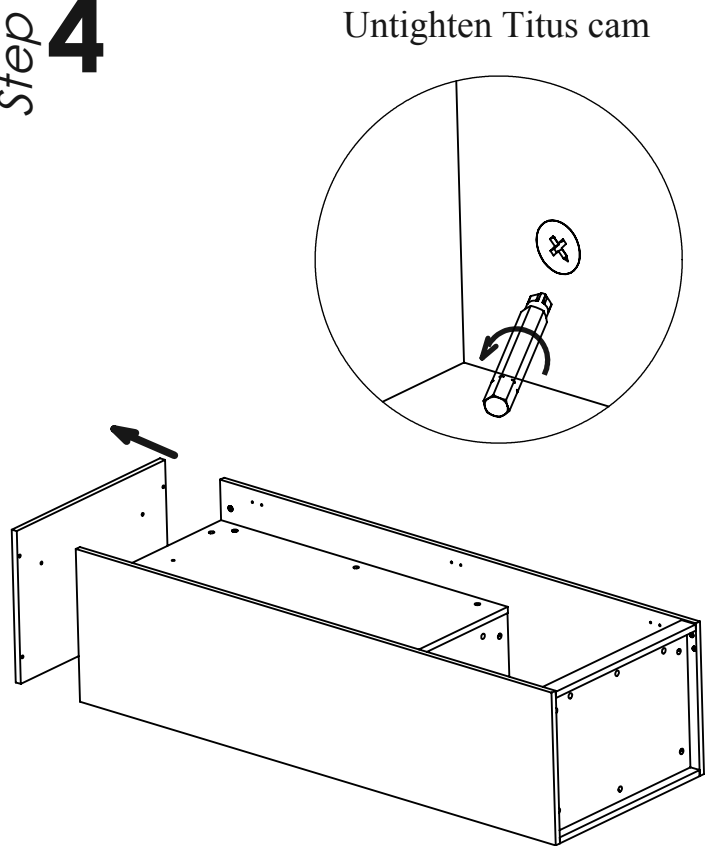
Step 2



Step 3



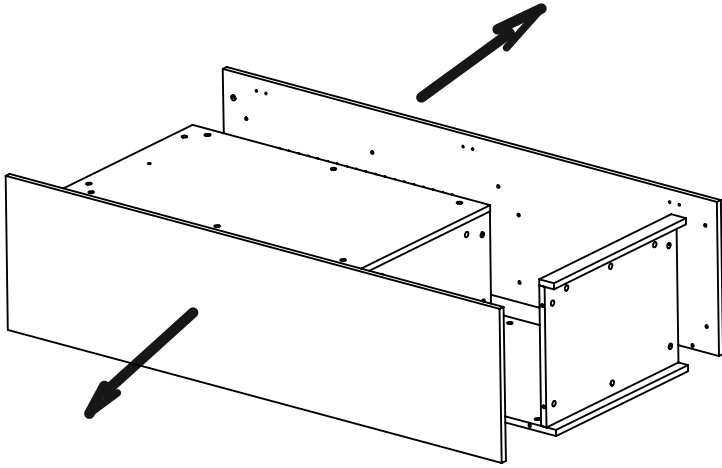
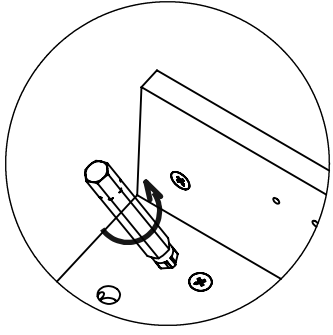
Step 4



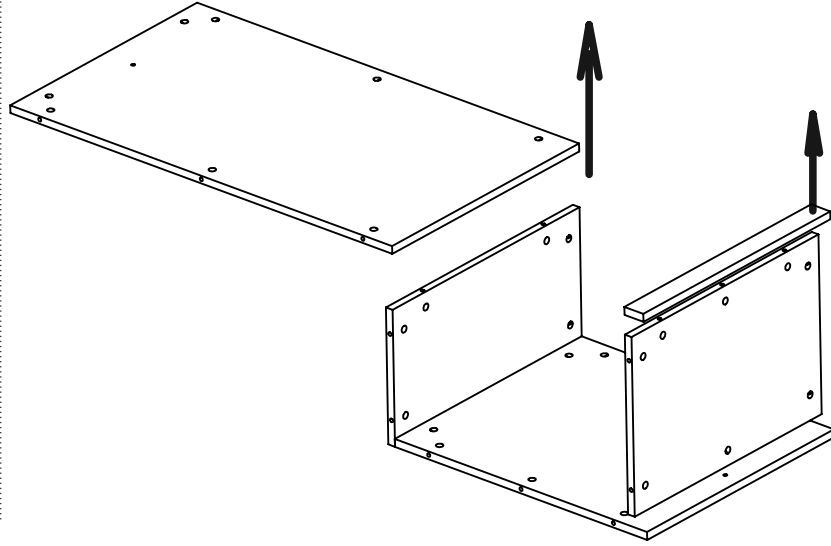
NOTE: Any alteration to listed components will void the manufacturer's warranty. The manufacturer will not be responsible for any damage or bodily harm caused by alterations in accordance with national or local electrical codes and manufacturer's specifications. In accordance with the manufacturer's policy of continual product improvement, the product presented in this document is subject to change without notice or obligation.

Step 5

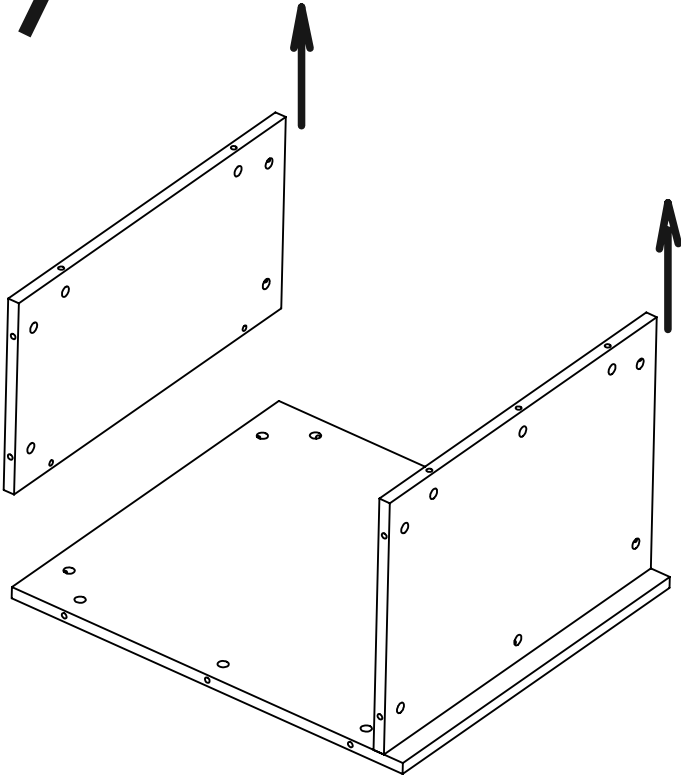
Untighten Titus cam



Step 6



Step 7



NOTE: Any alteration to listed components will void the manufacturer's warranty. The manufacturer will not be responsible for any damage or bodily harm caused by alterations in accordance with national or local electrical codes and manufacturer's specifications. In accordance with the manufacturer's policy of continual product improvement, the product presented in this document is subject to change without notice or obligation.