

ARxx32 Peninsula Table

Item#	Description	Qty.	Material
1	TOP	1	MDF
2	GLIDE	2	Steel, Plastic(PVC#3)
3	INSERT	10	Steel
4	INSERT	2	Steel
5	BRACKET	2	Steel
6	TABLE LEG	2	Solid Wood
7	BRACKET SCREW	4	Steel
8	INSERT SCREW	10	Steel

DISASSEMBLY INSTRUCTIONS

Product designed for disassembly in a reasonable time frame.

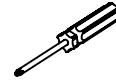
- Remove glides (2) from the table legs (6)
- Unscrew inserts (4) from table leg (6)
- Unscrew insert screw (8) from the bracket (5)
- Unscrew bracket screw (7) from the bracket (5)
- Unscrew inserts (3) from the top (1)

Please contact your Descor Service Representative at 905-470-0010 for any questions or concerns

REQUIRED TOOLS



Goggles



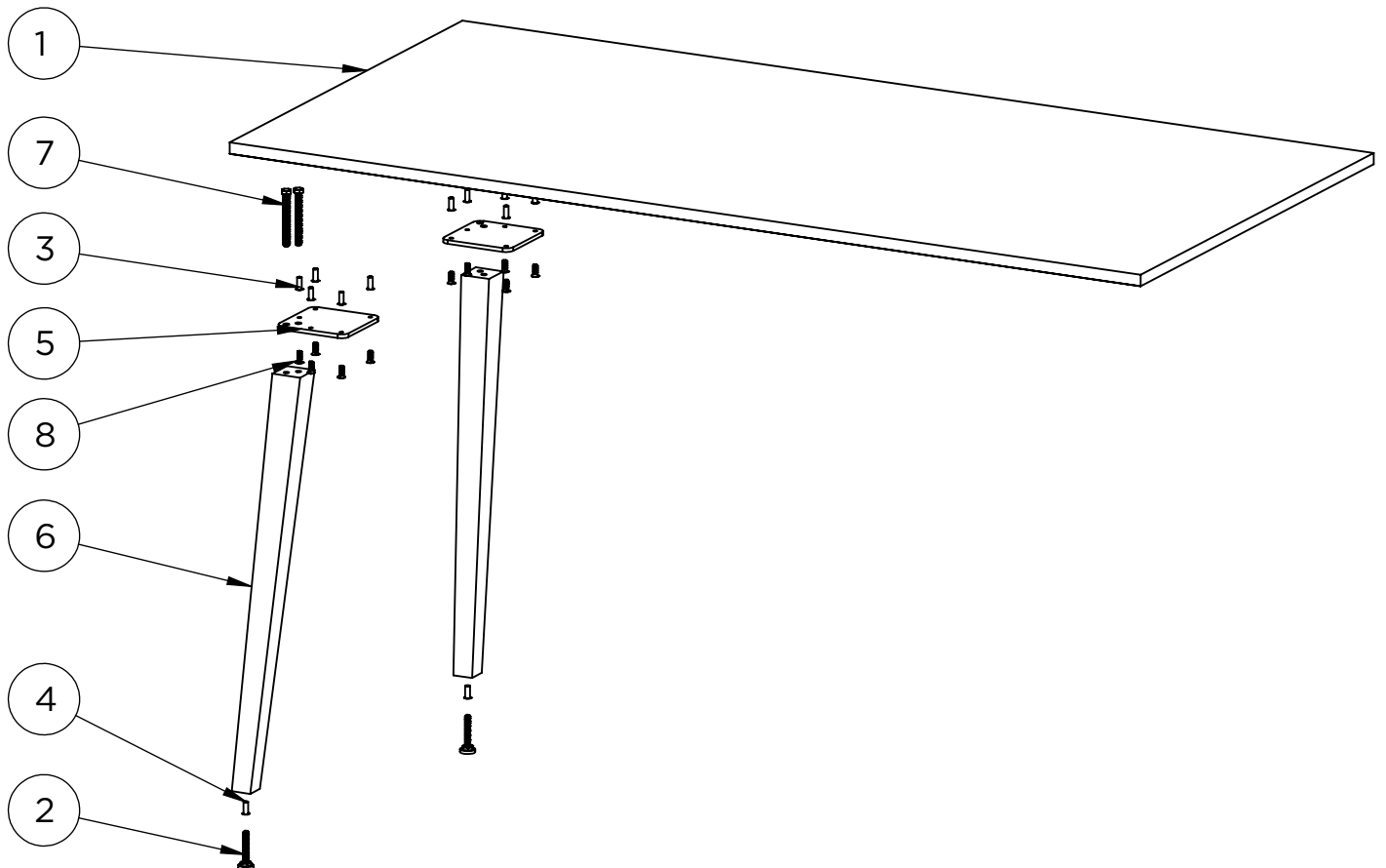
Phillips head
screwdriver #3



Socket wrench
3/8"



Allen-key
1/4" & 5/16"



NOTE: Any alterations to listed components will void the manufacturer's warranty. The manufacturer will not be responsible for any damage or bodily harm caused by alterations in accordance with national or local electrical codes and manufacturer's applications. In accordance with the manufacturer's policy of continual product improvement, the product presented in this document is subject to change without notice or obligation.