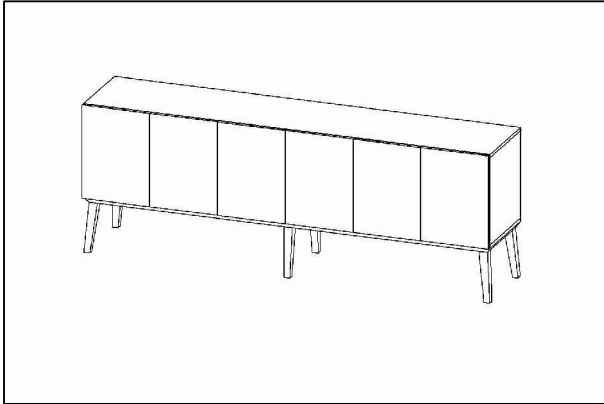
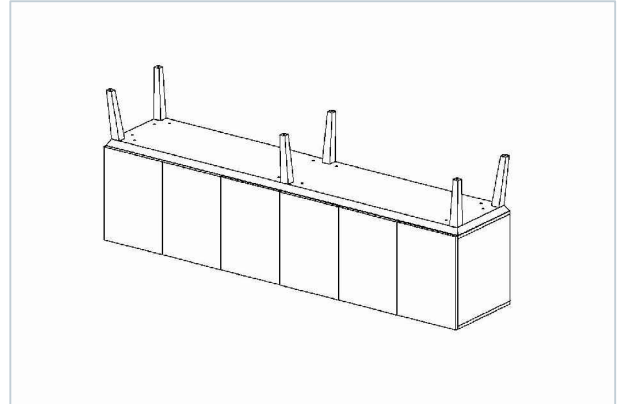


DISASSEMBLY INSTRUCTIONS

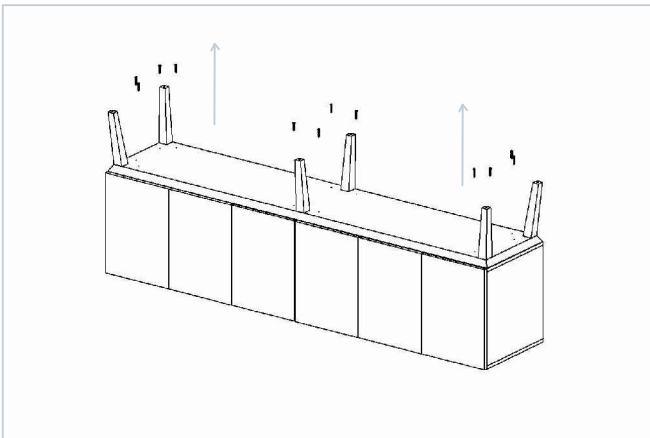
1) Bring both units to a clean open area.



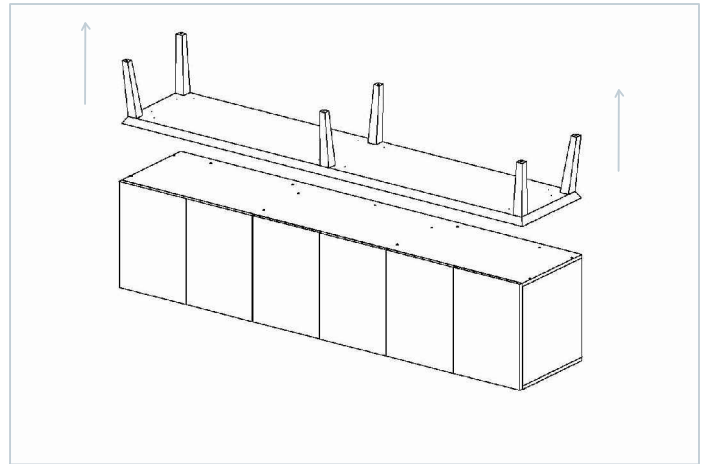
2) Flip the units upside down on a clean padded surface.



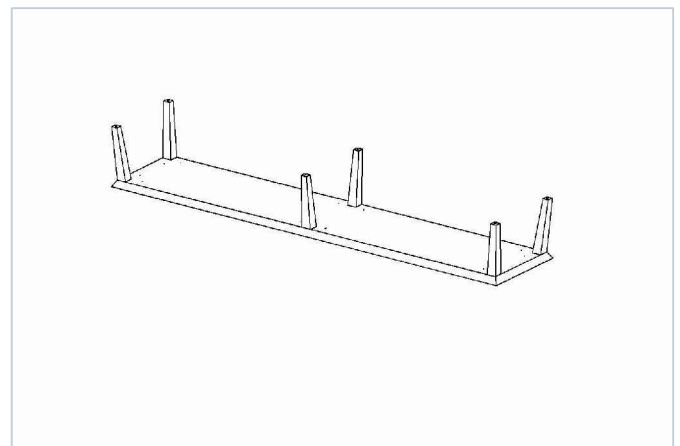
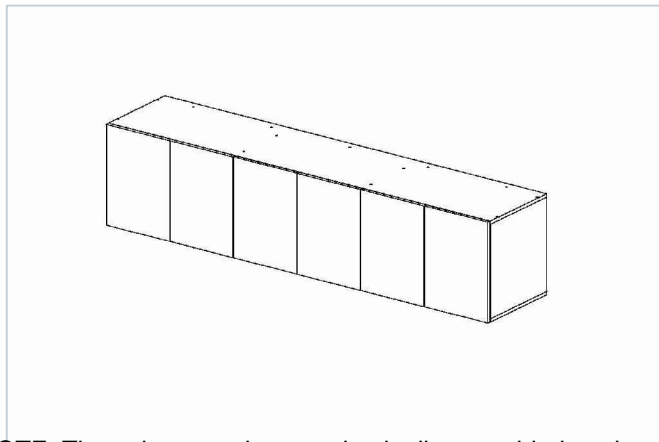
3) Remove all the wood screws out from the base frame.



4) Separate the base frame from the unit.



5) This way it could fit inside an elevator individually.



NOTE: The unit cannot be completely disassembled on the site.

Drawn By: Jay Parmar