



Priva acoustic pods provide a place for personal privacy, focus and online collaboration, away from the noise of the open office. Integrated ventilation and low-voltage LED lighting are motion-sensor activated to reduce energy consumption. The tempered glass entrance door, in combination with optional glass back panel, reduces the sense of confinement. Interior carpet flooring is comprised of eco-friendly nylon fiber, solution dyed with a polypropylene backing.

A laptop shelf, two AC outlets and two USB-A charging ports support the range of today's electronic and communication devices. The exterior is available in a variety of laminate finishes to coordinate with other furnishings. The interior can be finished in laminate or PET, for industry-leading sound absorption. Hinge and handle trim is available in Black or anodized Silver. Mechanical fasteners to affix the pod to the floor are available.



Features and Benefits

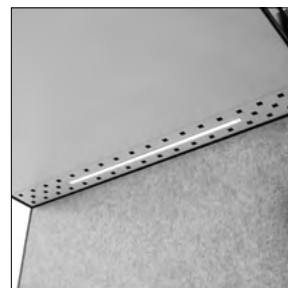
- Quiet and private
- Plug-and-play
- Internal frame is comprised of 14-gauge steel beams
- Easily clean high touch surfaces
- Slim, modern design
- Optional PET interior for greater acoustic properties
- Fixed touch-down shelf with power unit
- Special retractable casters enable Priva to be relocated easily



Two AC outlets and two USB-A charging ports, plus laminate touch-down shelf



Easy to clean



Ventilation fan and LED lights

GENERAL INFORMATION

- Priva is the culmination of 2 years of research and development of an acoustic phone booth that inhibits sound transmission between the interior and exterior creating a private room-in-room for workplace applications.
- Assembles in less than 90 minutes. Once complete, simply plug in and get to work!
- Priva has been tested and complies with all BIFMA mechanical tests.
- For environmental certification, please visit globalfurnituregroup.com.

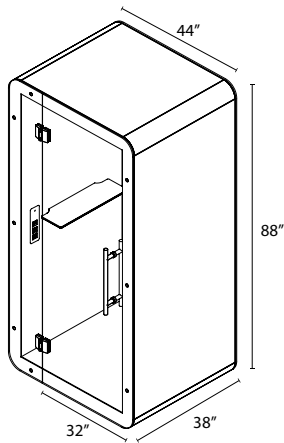
CONSTRUCTION

- Exterior is clad in 3/4" thermally fused laminate with a 10mm tempered glass door and glass (POD1G) or laminate back panel (POD1L).
- Exterior corner details are made of extruded aluminum
- Internal frame is comprised of 14 gauge steel beams
- Interior is clad in PET (recommended for greater acoustic properties)
- Laminate interior is optional.
- Pod ceiling is Designer White laminate
- Interior carpet flooring is comprised of eco-friendly nylon fiber, solution dyed with a polypropylene backing.
- Laminate touch-down shelf is standard in Designer White (DWT) laminate.

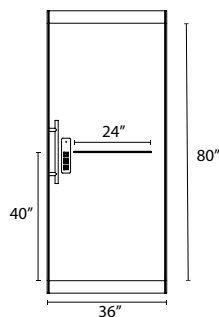
DIMENSIONS

- Exterior: 44" w x 38" d x 88" h
- Interior: 36" w x 36" d x 80" h
- Door: 32" w x 88" h
- Shelf: 24" w x 8" d x 40" h

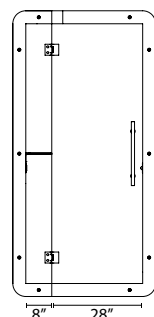
Exterior Dimensions



Interior Dimensions - Side View



Interior Dimensions - Front View



POWER + CONNECTIVITY

- Two AC outlets and two charging USB-A ports, coupled with an occupancy sensor controlling two 12V DC fans and an LED light circuit, ensure comfort in even the smallest of enclosed spaces, while keeping power consumption at a minimum.
- One 10 foot power cord with 3-prong plug

ACOUSTIC RATINGS

- NIC-36, STI .24

AIRFLOW SPECIFICATIONS

- CFM 55

FINISHES

Exterior Finishes:

- ACJ Absolute Acajou
- ASN Asian Night
- BLK Black
- BRC Brushed Cobalt
- CMB Clear Maple
- DES Dark Espresso
- DWT Designer White
- FAS Fashionista
- FCL First Class
- NBL Noce Biondo
- NGL Noce Grigio
- NEL Noce Leggero
- NML Noce Medio
- SBY Sheer Beauty
- SOG Storm Grey
- WHE Walnut Heights
- WHC White Chocolate
- WCR Winter Cherry

Exterior Frame Finishes

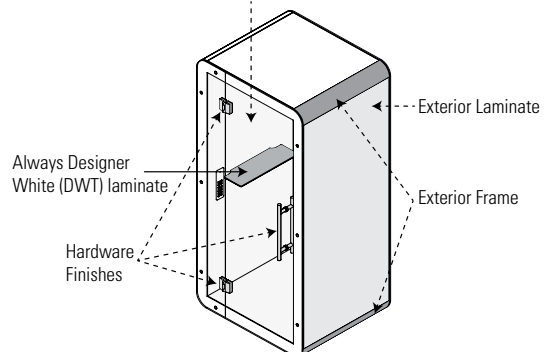
- BK Black
- CR Charcoal
- DW Designer White
- TU Tungsten

Interior Finishes - select Laminate or PET

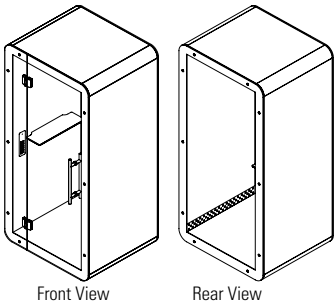
- | | | | |
|--------------|--|--------------------|--|
| PET: | | Laminate: | |
| GPH Graphite | | BLK Black | |
| MTS Mist | | DWT Designer White | |
| PWT Pewter | | SOG Storm Grey | |

Hardware Finishes (Handle + Hinge)

- BK Black
 - SI Silver
- Interior Finish (Laminate or PET)



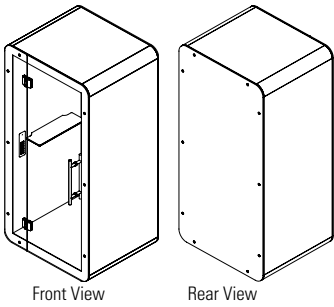
SINGLE USER POD MODEL# DIMENSIONS FREIGHT CLASS WT/LBS. CUBIC FT. LIST PRICE



	D x W x H				
POD1G	38 x 44 x 88	65	1323	44.80	\$27095

Single User Pod - Glass Back Panel

Acoustic pod includes laminate exterior with aluminum frame. PET interior provides acoustic privacy. Laminate interior optional for easy cleaning. Door is 10mm tempered glass with a **glass back panel**.



POD1L	38 x 44 x 88	65	1323	44.80	\$27095
-------	--------------	----	------	-------	----------------

Single User Pod - Laminate Back Panel

Acoustic pod includes laminate exterior with aluminum frame. PET interior provides acoustic privacy. Laminate interior optional for easy cleaning. Door is 10mm tempered glass with a **laminate back panel**.

Required specifications

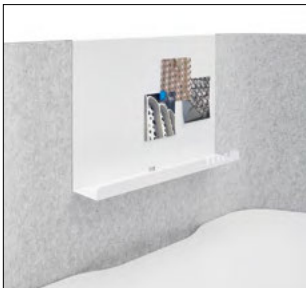
- Exterior laminate finish
- Exterior frame finish
- Hardware finish
- Interior finish



Softpod™ responds to the changing landscape of today's workplace and educational environments, providing a place for focus and engagement as you move through your day. Now featuring meeting pods and height adjustable surfaces—including a new 2-divider pod, which offers a compact footprint with an ample worksurface, and the option of lockable casters for easy relocation.

The new 3-divider pod with a height adjustable table (HAT) delivers a sit-stand range from 22.5" to 48.9", from the top of the worksurface to the floor. The HAT power solution creates new planning opportunities for end-to-end pod connections.

Softpod layouts with 6-dividers and 7-dividers can be configured to provide meeting or lounge spaces with power support for monitors and mobile charging. Worksurfaces accommodate 2-4 people. Optional PET Felt or corner semi-transparent extension panels provide additional privacy. Additional features such as hanging shelves, coat and bag hooks, and nameplates are available for all pod configurations.



Hanging shelf with dry erase board



Corner PET Felt extension divider



Pull out pantry storage

Features and Benefits

- 120° footprint supports clusters of one or more pods in a layout
- Integrated wiring solutions deliver power and data above and below the worksurface
- Simple kit of parts makes it easy to specify with quick fulfillment + installation
- Panels are comprised of two layers of 50% recycled sound-absorbing PET felt bonded to a slim internal aluminum framework
- New 3-divider pod with a height adjustable table (HAT) delivers a sit-stand range from 22.5" to 48.9"
- User can easily add/remove privacy + accessory elements
- Casual storage and accessories support hybrid schedules
- Pods can be equipped with power and data solutions

GENERAL INFORMATION

- Available as 2, 3, 4, 5, 6 and 7-sided pods in a range of colors.
- New 3 divider pod with height adjustable table delivers sit-stand range from 22.5" to 48.9", from top of worksurface to floor.
- Easy to specify and install.
- Easily add, subtract or rearrange each Softpod workstation without having to take anything apart
- High and low pressure laminate work surfaces are durable and easy to clean. Choose from a range of finishes to suit your style.
- The inner and outer panel sides can be specified in different colors to offer visual appeal or to help workers identify groups or individual work areas within open spaces.
- 6 and 7-sided pods can be configured to create meeting or lounge spaces, with power support for monitors and mobile charging. Worksurfaces accommodate 2-4 people comfortably.
- PET felt panels and internal aluminum framework can be recycled.
- For environmental certifications, please visit globalfurnituregroup.com.

WORKSURFACES

- Standard in high performance thermally fused laminate. Optional high pressure (HP) laminate available.
- High performance thermally fused laminate tops are 1" thick particle board and have a flat 3mm edge profile on all sides
- High pressure (HP) laminate tops are 1-1/16" thick laminate particle board and have a flat 3mm edge profile on all sides
- Laminate surfaces offer a selection of matching + coordinating edgeband. Specify separately from the surface finish.



- Products specified with the high pressure laminate option are finished on the underside of the surface with a kraft paper backing.

METAL LEG FINISHES:

BLK	Black	SDT	Stonedust
BZD	Blizzard	SIL	Silver
CHR	Charcoal	TPE	Taupe
DWT	Designer White	TUN	Tungsten
NEV	Nevada		

PET FELT COLORS:

AMT	Amethyst	HVT	Harvest
APR	Apricot	LAP	Lapis
BLK	Black	MTS	Mist
BSK	Blue Smoke	NVY	Navy
BRI	Brick	PWT	Pewter
CNN	Carnation	RBV	Ruby
DEN	Denim	SHR	Shamrock
EMD	Emerald	SFR	Sunflower
GPH	Graphite	WHT	White

LAMINATE FINISHES (thermally fused and high pressure laminates):

ACJ	Absolute Acajou	FCL	First Class
ASN	Asian Night	NBL	Noce Biondo
AWC	Avant Cherry	NGL	Noce Grigio
AWH	Avant Honey	NEL	Noce Leggero
BLK	Black	NML	Noce Medio
BRC	Brushed Cobalt	QTM	Quartered Mahogany
CMB	Clear Maple	SBY	Sheer Beauty
CGY	Custom Grey*	SOG	Storm Grey
DES	Dark Espresso	WHE	Walnut Heights
DWT	Designer White	WHC	White Chocolate
FAS	Fashionista	WCR	Winter Cherry

*Coordinates w/SIL edgeband finish

EDGE FINISHES (Laminate Surfaces Only)

AAE	Absolute Acajou	NBL	Noce Biondo
ASE	Asian Night	NGL	Noce Grigio
ACE	Avant Cherry	NEL	Noce Leggero
AHE	Avant Honey	NML	Noce Medio
BLK	Black	QTM	Quartered Mahogany
BRC	Brushed Cobalt	SBY	Sheer Beauty
CHR	Charcoal (<i>use w/SOG</i>)	SIL	Silver*
CME	Clear Maple	TPE	Taupe
DEE	Dark Espresso	WHE	Walnut Heights
DWE	Designer White	CBE	White Chocolate
FAS	Fashionista	WCE	Winter Cherry
FCL	First Class		*Coordinates w/CGY laminate

Divider:

- PET felt / aluminum composition
- Channel edge allows for add-on privacy
- Acoustic rating of .60 NRC and 13 STC

PET Felt features:

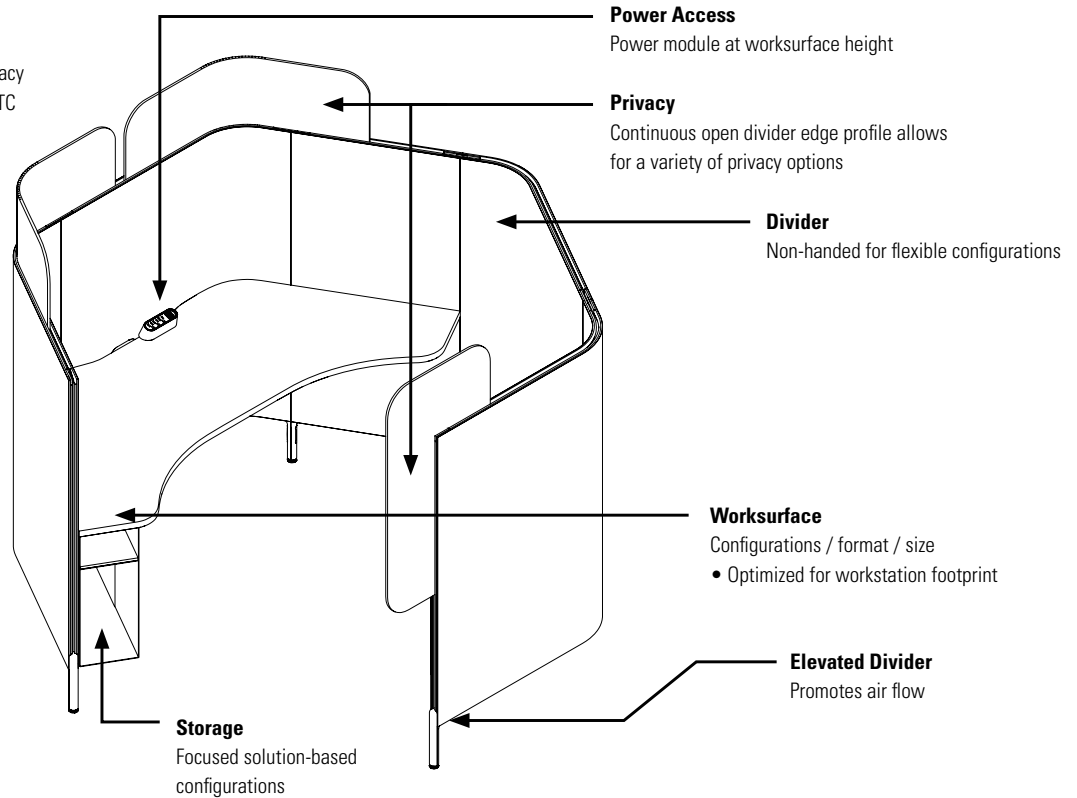
- Tackable acoustic material
- Soft form capability

Electrical:

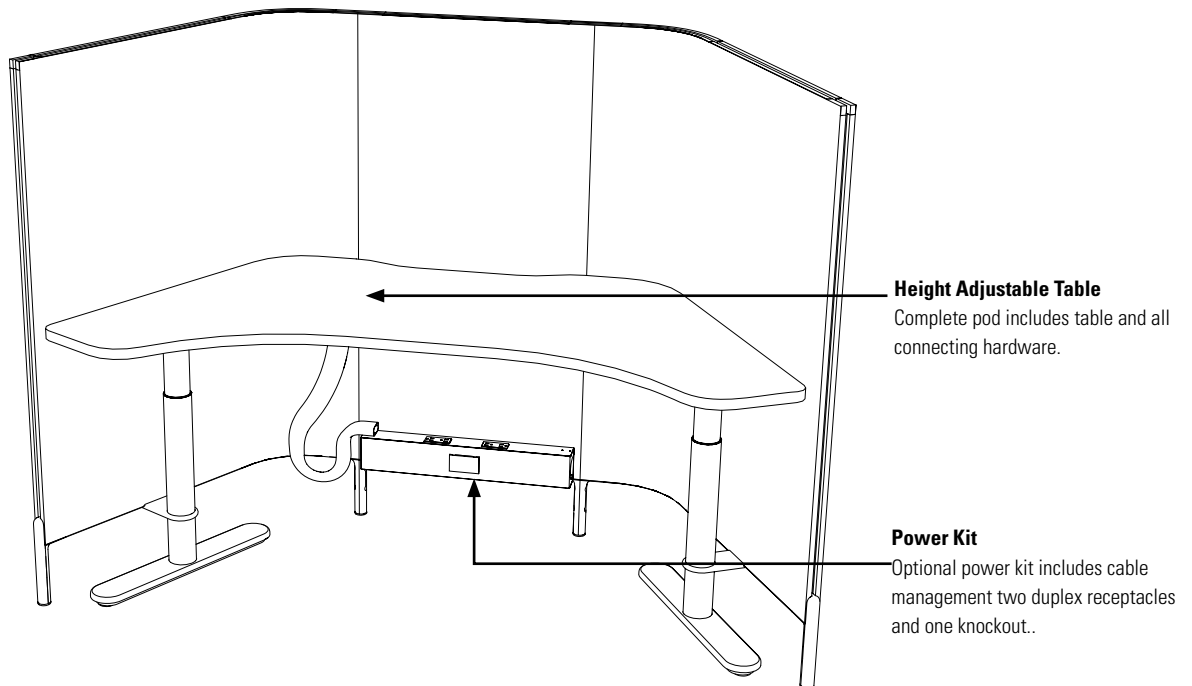
- Simple interconnect / direct plug-in
- Hard wire formats

Storage:

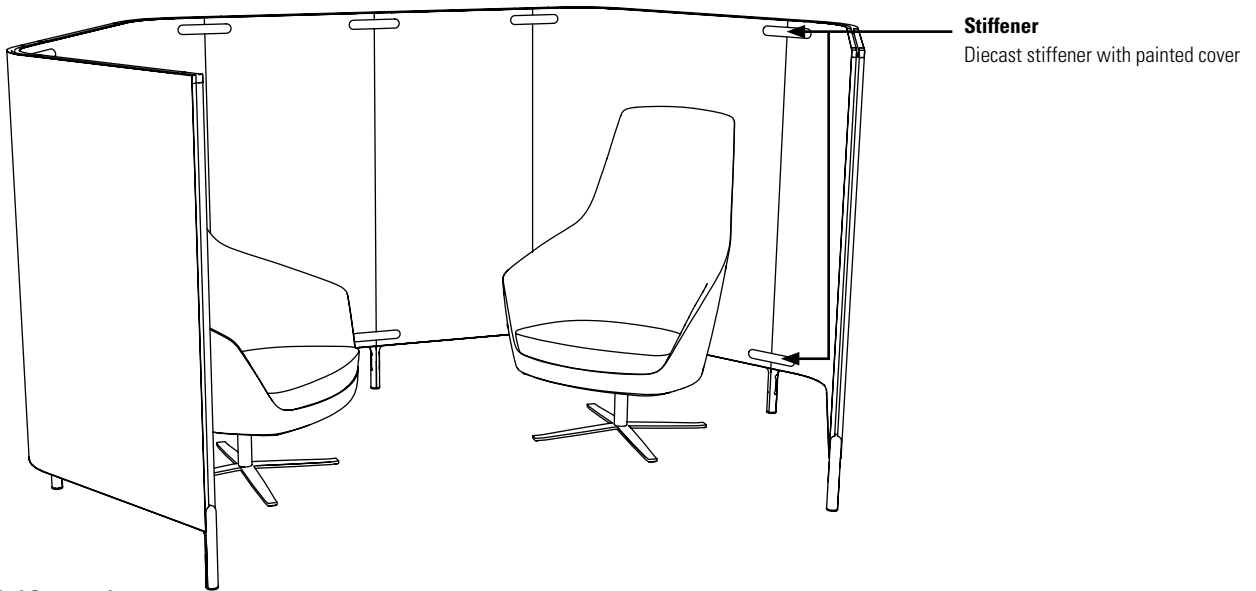
- Solution based



Height Adjustable Pod

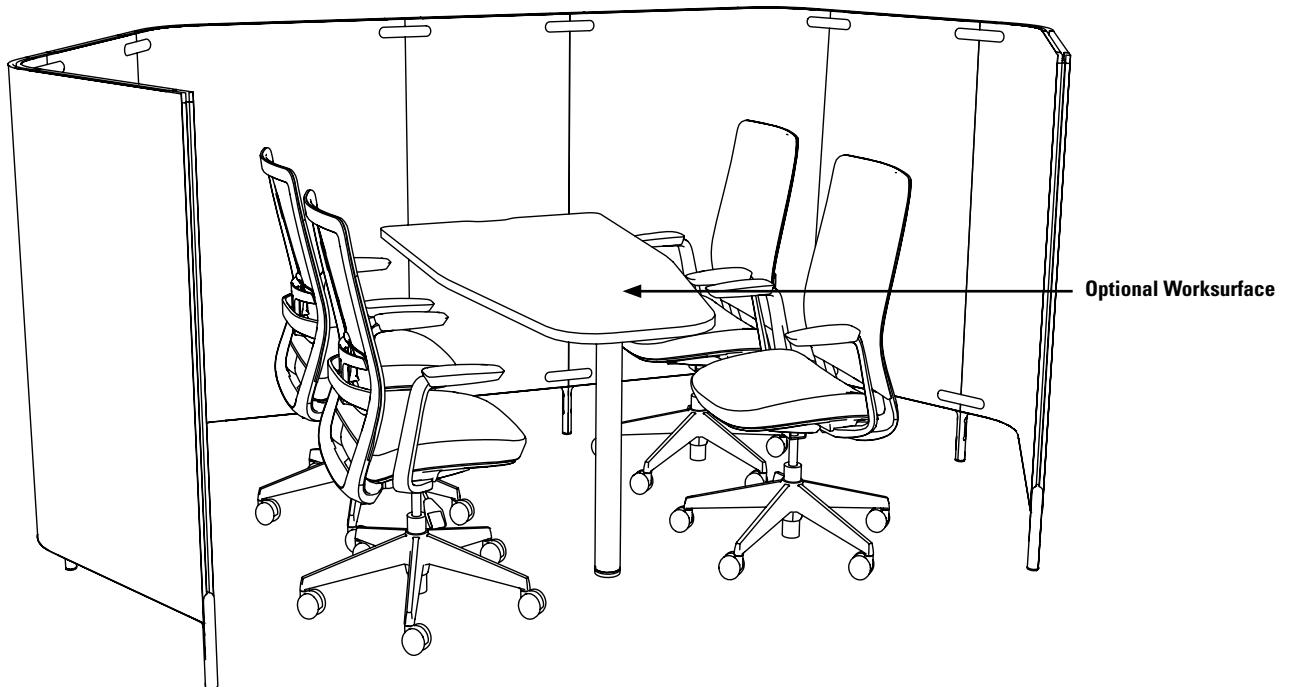


Freestanding Lounge Pods



*Seating Specified Separately

Meeting Pods



*Seating Specified Separately

Softpods

HX2P5452SW
Softpod with 2 Dividers
and Worksurface



HX2PM5452SW
Mobile Softpod
with 2 Dividers and
Worksurface



HX3PM5472SW
Mobile Softpod
with 3 Dividers and
Worksurface



HX3P5472SW
Softpod with
3 Dividers and
Worksurface



HX4PM5472SW
Mobile Softpod
with 4 Dividers and
Worksurface



HX4P5472R/LW
Softpod with 4 Dividers
and Wraparound
Worksurface



HX4PM5472LW/RW
Mobile Softpod with
4 Dividers and Wrap-
around Worksurface



HX5P5472SW
Softpod with 5 Dividers
and Worksurface



HX5P5472R/LW
Softpod with 5 Dividers and
Wrap Around
Worksurface



HXP5430
Single J-divider



Height Adjustable Tables

HX3PH5472SW
Softpod with 3 Dividers
and Height Adjustable
Worksurface



Freestanding Pods

HX3PF
Freestanding Softpod
with 3 Dividers



HX3PFM
Freestanding Mobile
Softpod with 3 Dividers



HX4PF
Freestanding Softpod
with 4 Dividers



HX4PFM
Freestanding Mobile
Softpod with 4 Dividers



HX5PF
Freestanding Softpod
with 5 Dividers



HX5PFM
Freestanding Mobile
Softpod with 5 Dividers



HX6PF
Freestanding Softpod
with 6 Dividers



HX7PF
Freestanding Softpod
with 7 Dividers

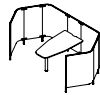


Meeting Pods

HX6PFD
Meeting Pod with 6 Dividers
with D Top Worksurface



HX7PFD
Meeting Pod with 7 Dividers
with D Top Worksurface



Extensions

HXPAEFE
End PET Felt Extension
Divider Add-on



HXPACFE
Corner PET Felt
Extension Divider Add-on



HXPATCFE
Top Corner PET Felt
Extension Divider Add-on



HXPA1CFE
PET Felt Extension Divider
Add-on for Softpod with 2 Dividers



HXPA2CFE
PET Felt Extension Divider
Add-on for Softpod with 3 Dividers



HXPACFEH
PET Felt Extension Panel Add-on for
Softpod Height Adjustable Table



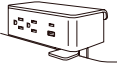
HXPACFES
Corner Semitransparent
Extension Panel Add-on



S SOFTPOD - STATEMENT OF LINE

Electrical

PS3525057/5002
Clamp Mount module



PS3526057/6002
Undermount module



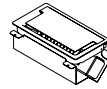
HXEUWC
Under Worksurface
Edge USB charger



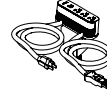
GAADG
Access Door
Module



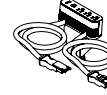
GAADCT
Access Door Module
with Cable Tray



PMDSA10
ModPower On Surface
Starter Unit



PMDCA3
ModPower Middle
Mounted Unit



PMDEA3
ModPower End
Mounted Unit



PSDPC22W
Slim Desktop Power
Module, 2 Duplex



PSDPC32W
Slim Desktop Power
Module, 3 Duplex



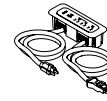
PMDCLIPS
ModPower cable
management clips



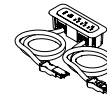
PMDJ36BK
ModPower
interconnecting jumper



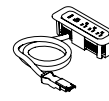
PMDSF10
ModPower In Surface
Starter Unit



PMDCF3
ModPower In
Surface Middle Unit



PMDEF3
ModPower In
Surface End Unit



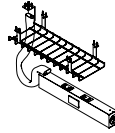
HXEKP
Station 2-Circuit
Power Kit



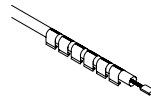
HX ECS
Cable Shroud



HXE HAP
Height Adjustable
Power Kit



HXE PPJ
Station to Station
Jumper Kit



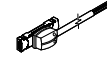
HXE PPJ
Station to Station
Jumper



HXE CF
Ceiling Feed



HXE BF
Base Feed



H4XCNT
Inline Coupler



HX TVMT
TV Mount



HXE CFP
Ceiling Feed Pole



HXE PGK
Divider Grommet
Kit



HXE PGCS
Divider Grommet
Connector / Spacer



Accessories

LINLAMP S
LED Single Arm
Lamp



LINLAMP D
LED Double Arm
Lamp



RNDLAMP S
LED Single Arm
Lamp



RNDLAMP D
LED Double Arm
Lamp



HX AHS
Hanging Shelf



HX AHSWB
Hanging Shelf with
Dry Erase Board



HX ARWS
Rear Wall Shelf



HX ACS
Coat/Bag Hook
for Dividers



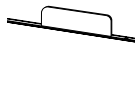
HX ACT
Coat/Bag Hook
for Dividers Edge



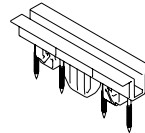
HX ABH
Under Surface
Bag Hook



HX NP
Name Plate

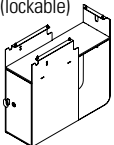


HX PCKIT
Connection Kit

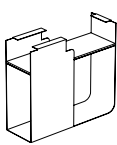


Storage

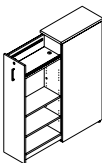
HX SCSOL
Under Worksurface
Casual Storage Unit
(lockable)



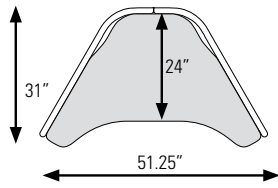
HX SCSO
Under Worksurface
Casual Storage Unit



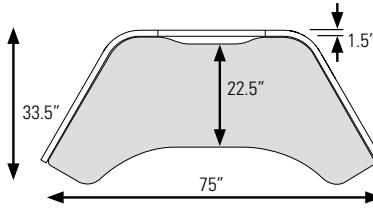
FFPO
Pantry Storage



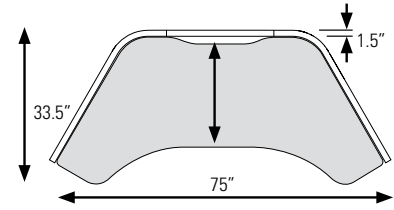
FOOTPRINT



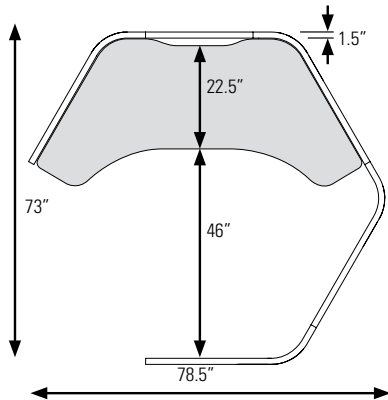
HX2P5452SW
Softpod with 2 Dividers



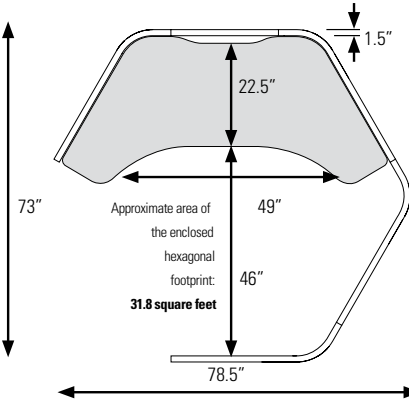
HX3P5472SW
Softpod with 3 Dividers



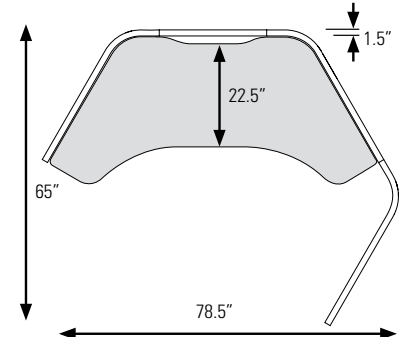
HX3PH5472SW
Height Adjustable Softpod



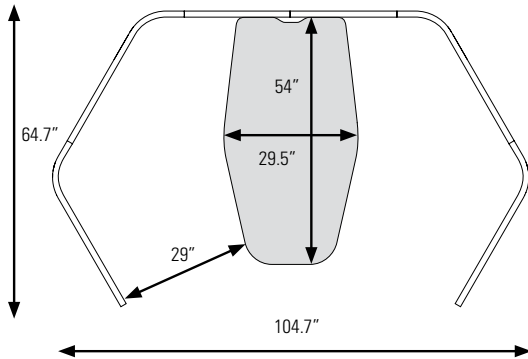
HX5P5472SW Softpod with 5 Dividers



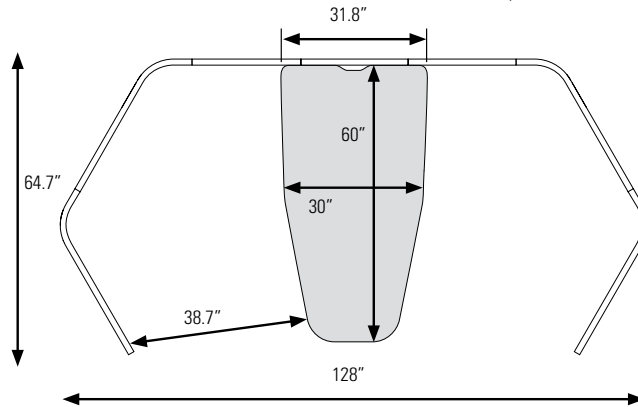
Single Softpod with 5 Dividers



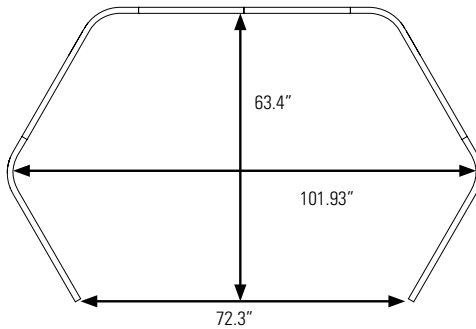
HX4P5472SW
Softpod with 4 Dividers



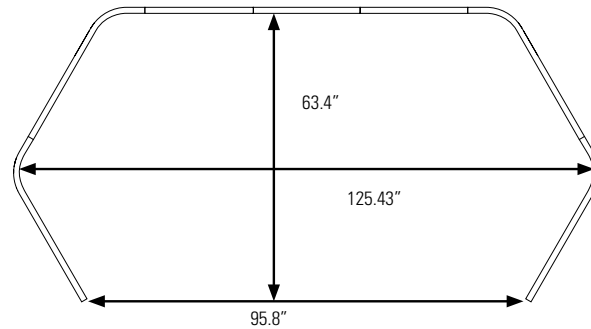
HX6PFD
Softpod with 6 Dividers and D Top Worksurface



HX7PFD
Softpod with 7 Dividers and D Top Worksurface



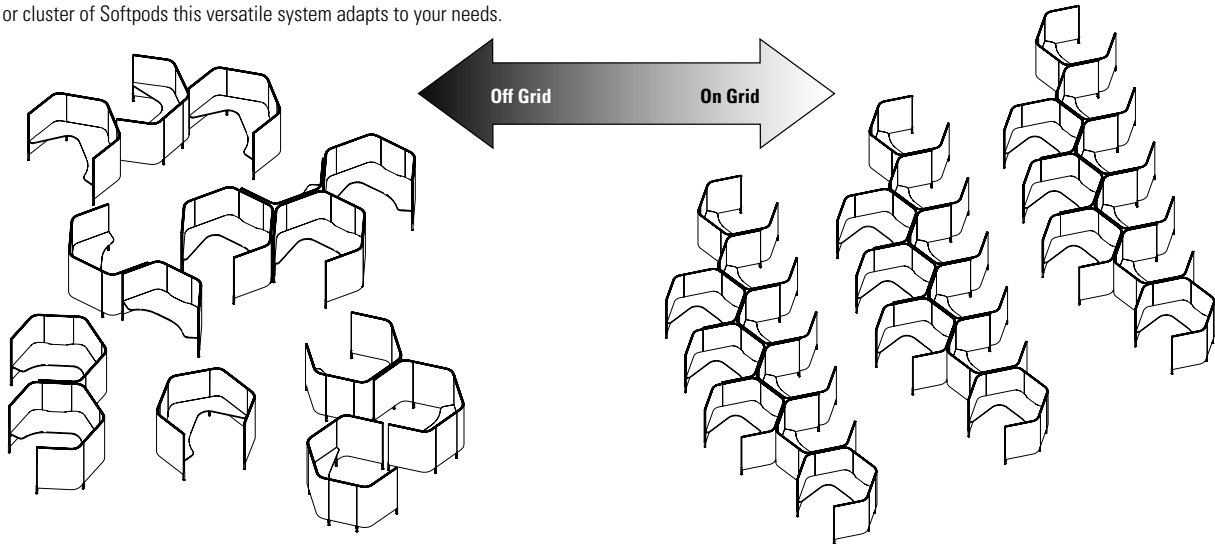
HX6PFD
Softpod with 6 Dividers and D Top Worksurface



HX7PFD
Softpod with 7 Dividers and D Top Worksurface

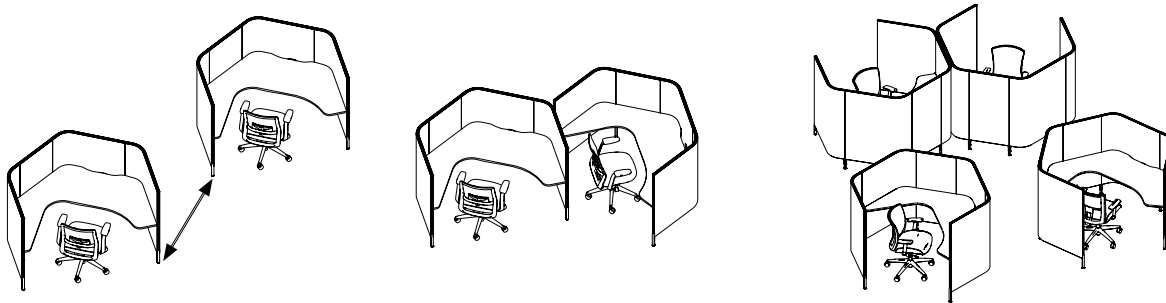
OFF GRID PLANNING

The flexible format of Softpod offers a variety of planning options and encourages both on and off grid layouts. From a single or cluster of Softpods this versatile system adapts to your needs.



Agile

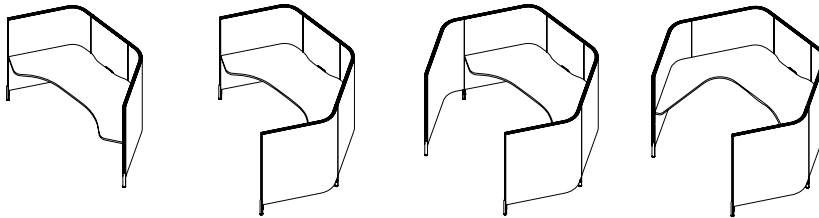
The freestanding, single Softpod can flex to support any number of employees in a hybrid work environment. The pods can be easily reconfigured and adjusted as needs change. Its small kit of parts and thoughtfully designed features make it easy to specify and keep inventory counts low



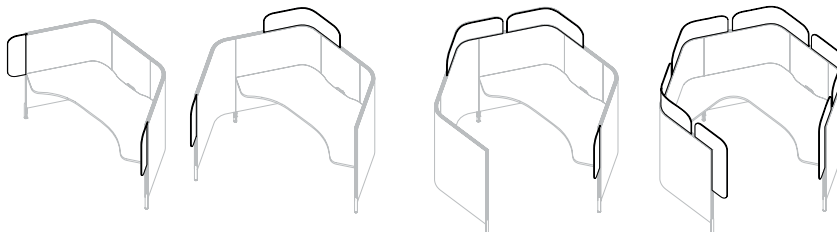
Scalable

The adaptable dividers give the ability to address the level of privacy needed on a station to station basis.

Softpod PRIVACY

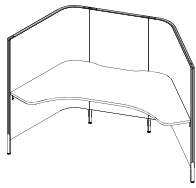


Extensions - PRIVACY

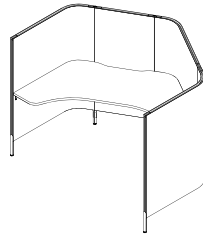


QUICK SPECIFICATION

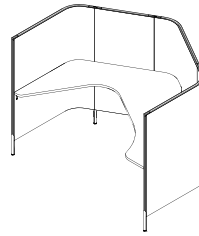
Softpod's small and complete kits allows for quick and efficient movement of product from time of specification to installation



Single Pod with 3 Dividers



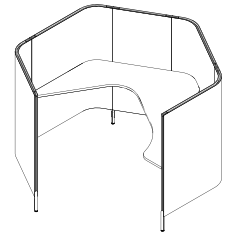
Single Pod with 4 Dividers



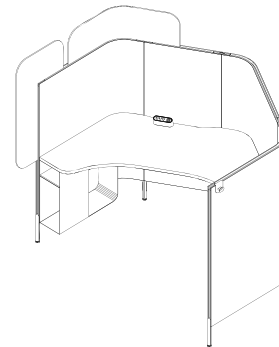
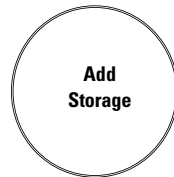
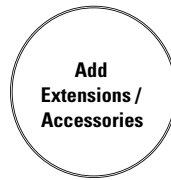
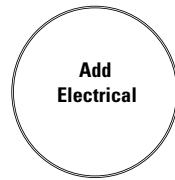
Single Pod with 4 Dividers and Wrap Around Surface



Single Pod with 5 Dividers



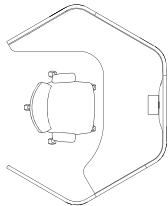
Single Pod with 5 Dividers and Wrap Around Surface



POWER CONNECTIONS

Plug In

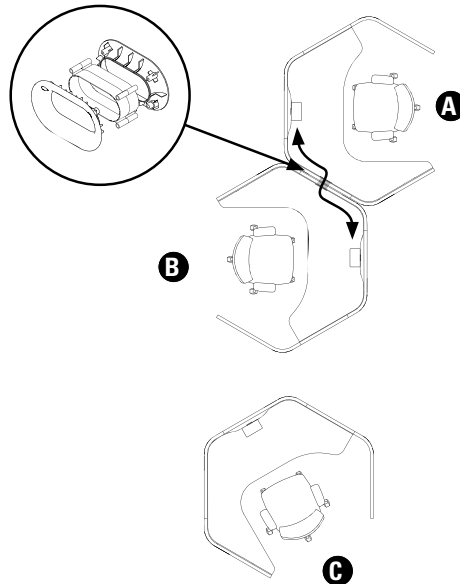
Simple casual wire - Direct plug-in or hard wired.



Daisy Chain Interconnect System

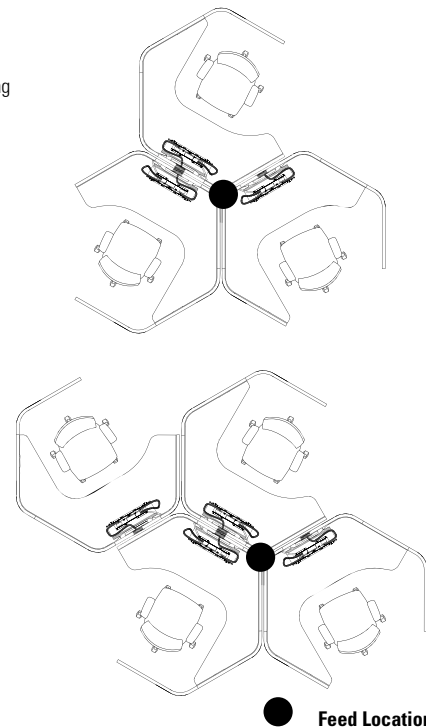
Plug-in power supply and interlinked, pre-determined universal modules. If specified, one module is shipped with the station and interconnected on site.

Integrating additional station (C) requires disconnecting A from B and plugging in the C on site.

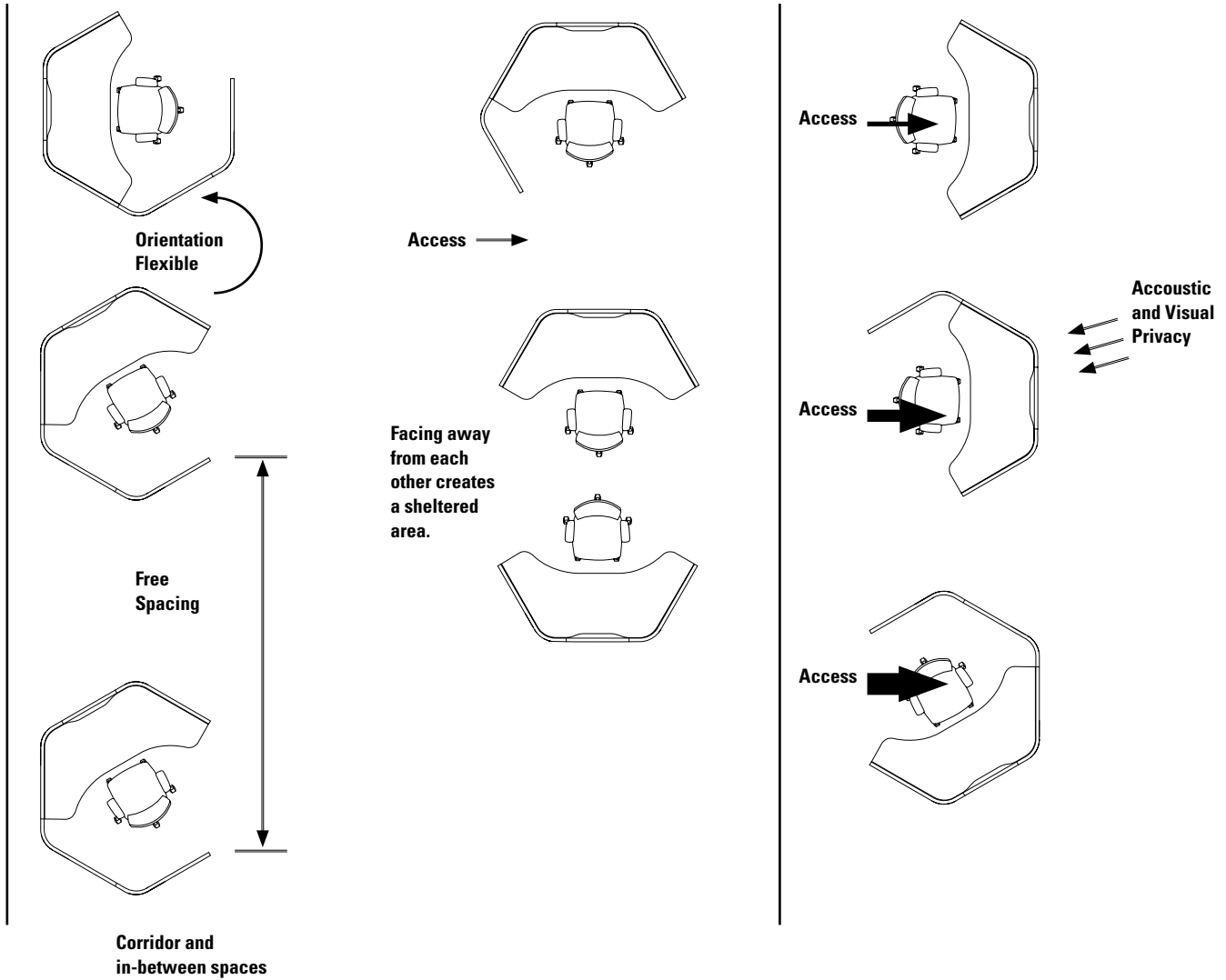


Dual Circuit Power

Outlets mounted below worksurfaces.



SPACE PLANNING

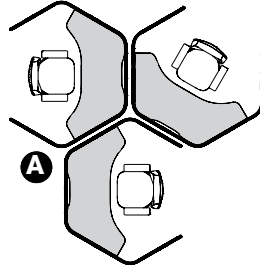


POD FORMATS

Align units in cluster plan
Option unit type and orientation

(A) Worksurfaces must have opposing alignment

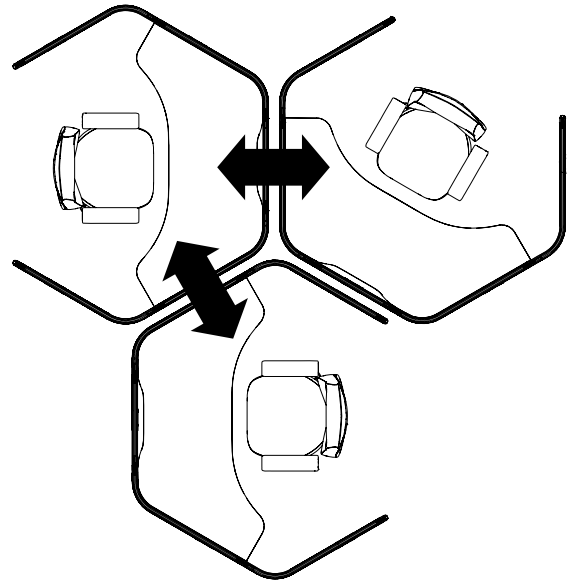
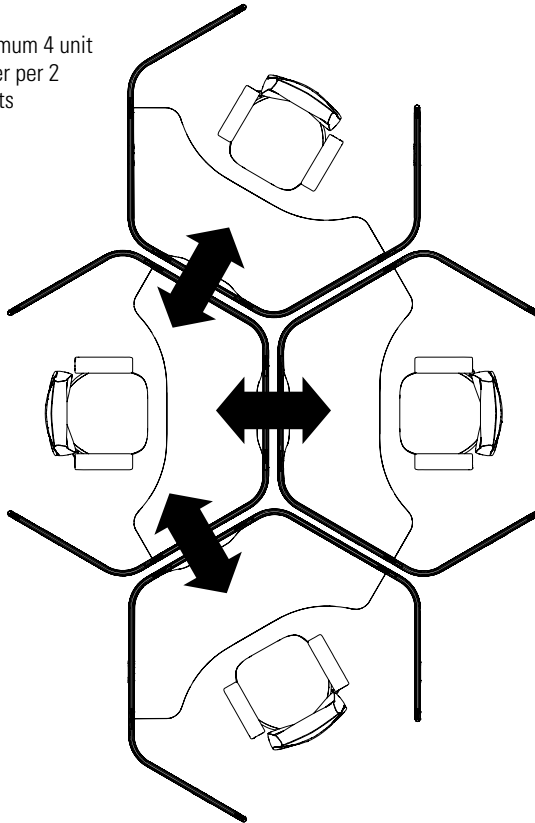
Flat and curved dividers are non-handed and symmetrical. The addition of the legs determines if the j-dividers becomes LEFT handed or RIGHT handed. Any j-divider can be configured and reconfigured LEFT or RIGHT.



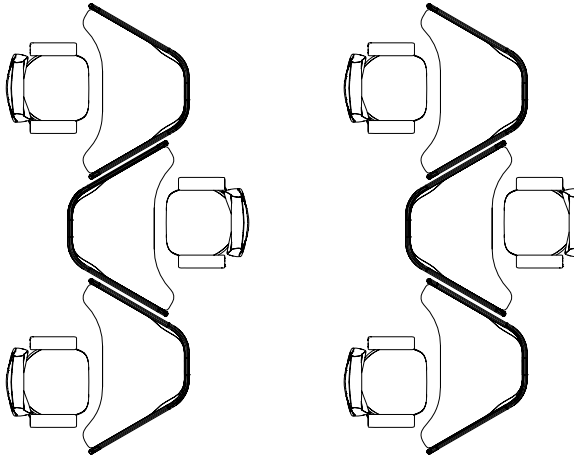
Power/ data is delivered through screen walls via grommet

Grommet tethers units together

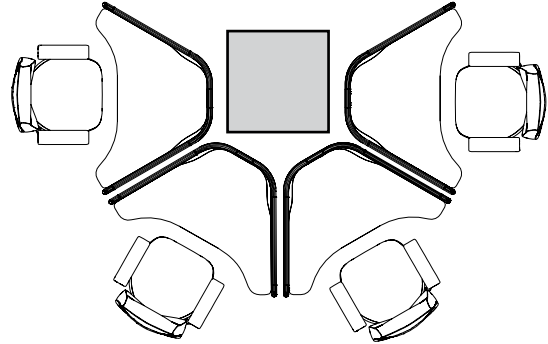
Maximum 4 unit cluster per 2 circuits



PLANNING FOR SINGLE SOFTPOD WITH 2 DIVIDERS

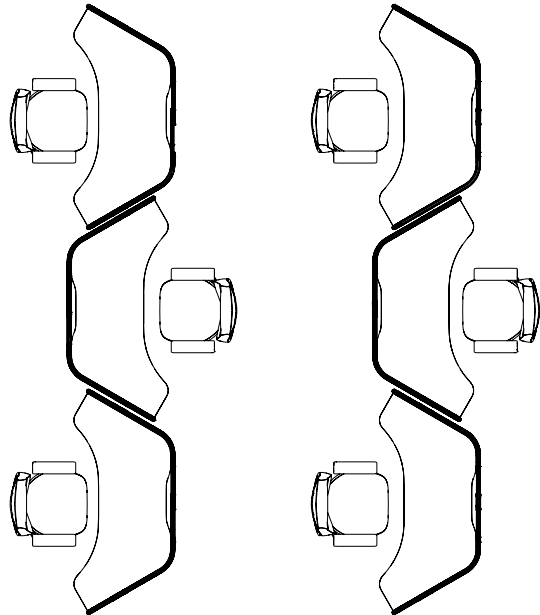


Touchdown

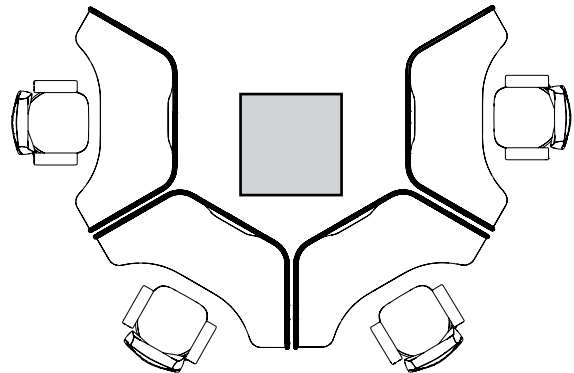


Around Column

PLANNING FOR SINGLE SOFTPOD WITH 3 DIVIDERS



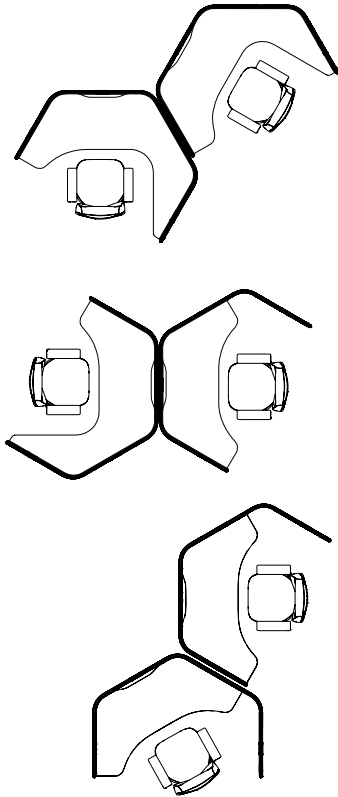
Touchdown



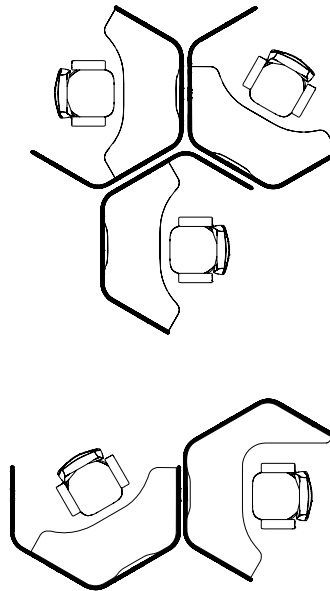
Around Column

PLANNING FOR SINGLE SOFTPOD WITH 4 DIVIDERS

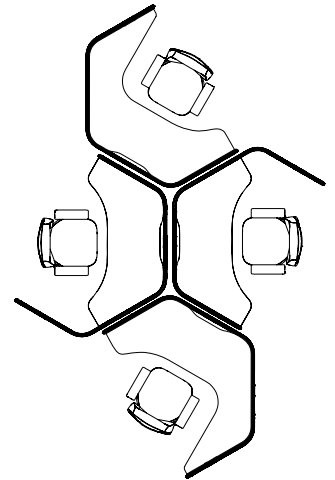
Cluster of 2 Softpods



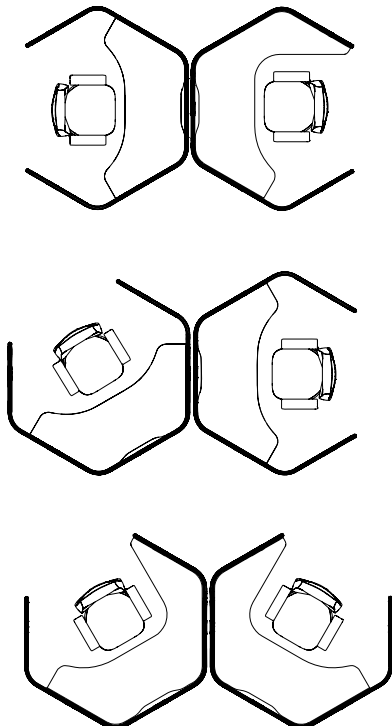
Cluster of 3 Softpods



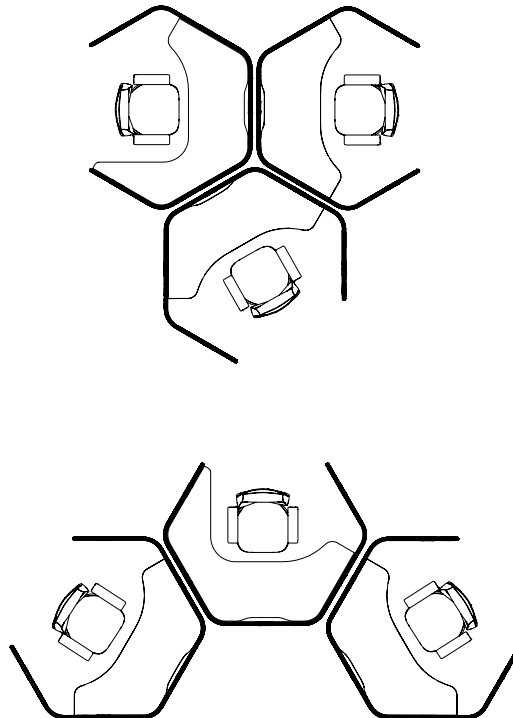
Cluster of 4 Softpods



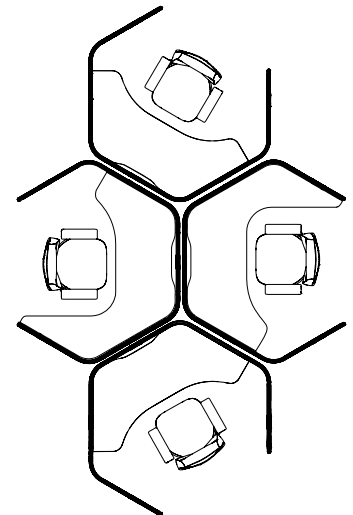
PLANNING FOR SINGLE SOFTPOD WITH 5 DIVIDERS - CENTER



Cluster of 2 Softpods

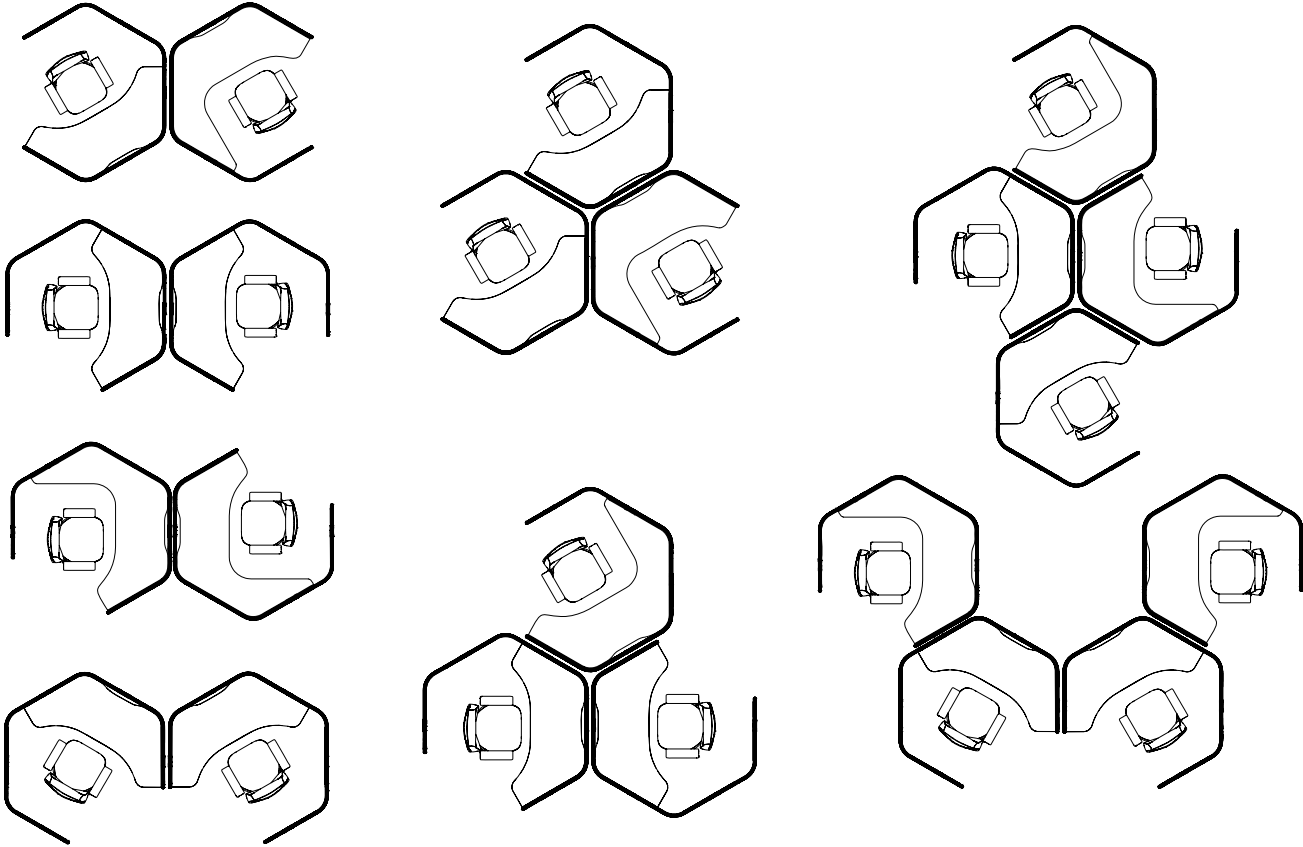


Cluster of 3 Softpods



Cluster of 4 Softpods

PLANNING FOR SINGLE SOFTPOD WITH 5 DIVIDERS, LEFT/RIGHT



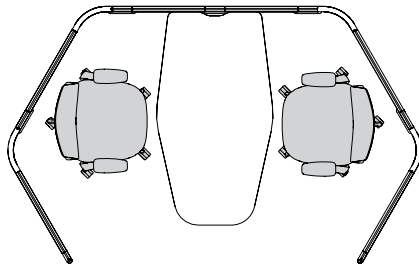
Cluster of 2 softPODs

Cluster of 3 softPODs

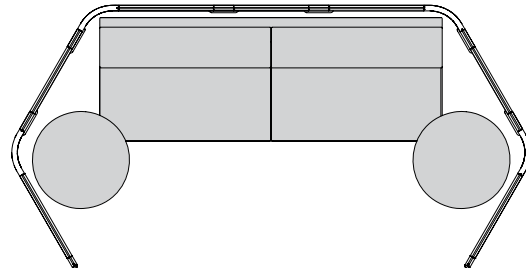
Cluster of 4 softPODs

PLANNING WITH COLLABORATION POD FOR MEETING AND LOUNGE SETTINGS

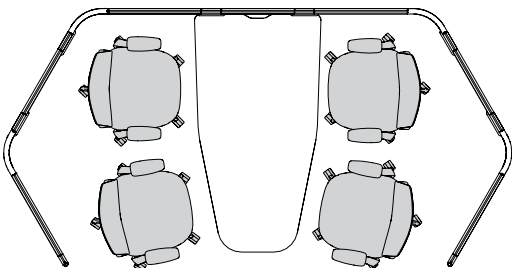
*Seating specified separately



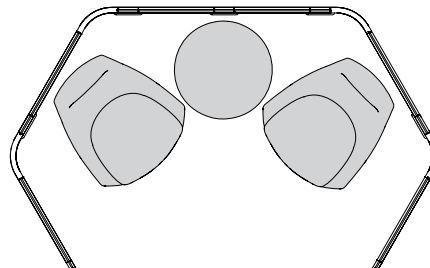
Meeting with D Worksurface



Freestanding Pods for Lounge Settings



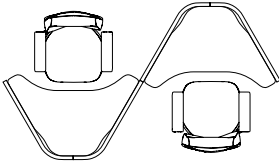
Meeting with D Worksurface



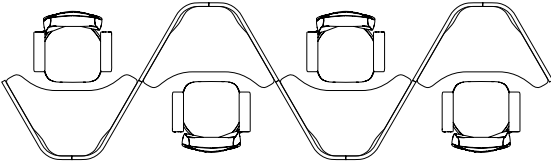
Freestanding Pods for Lounge Settings

END TO END CONNECTIONS

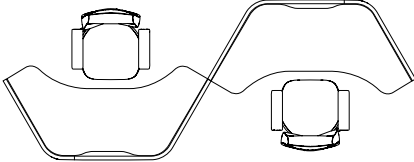
Softpod allows for end to end connection to meet a variety of planning needs:



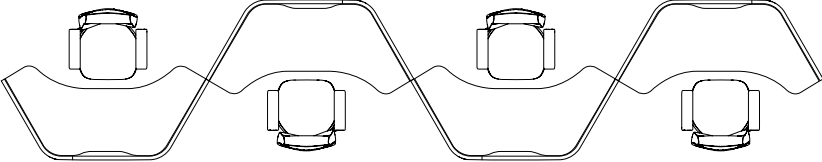
Softpod with 2 Dividers



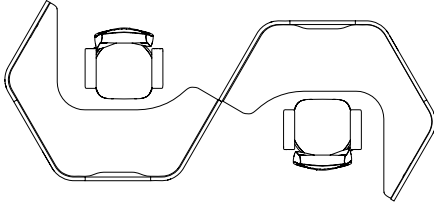
Softpod with 2 Dividers



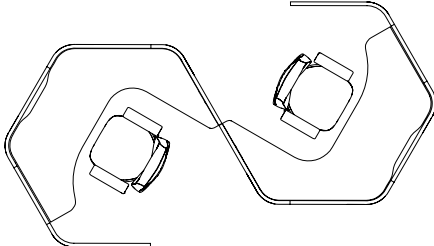
Softpod with 3 Dividers



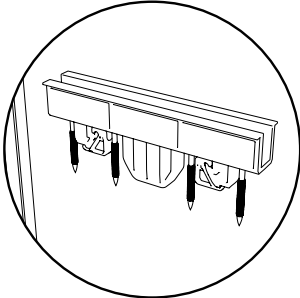
Softpod with 3 Dividers



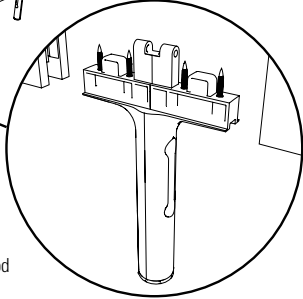
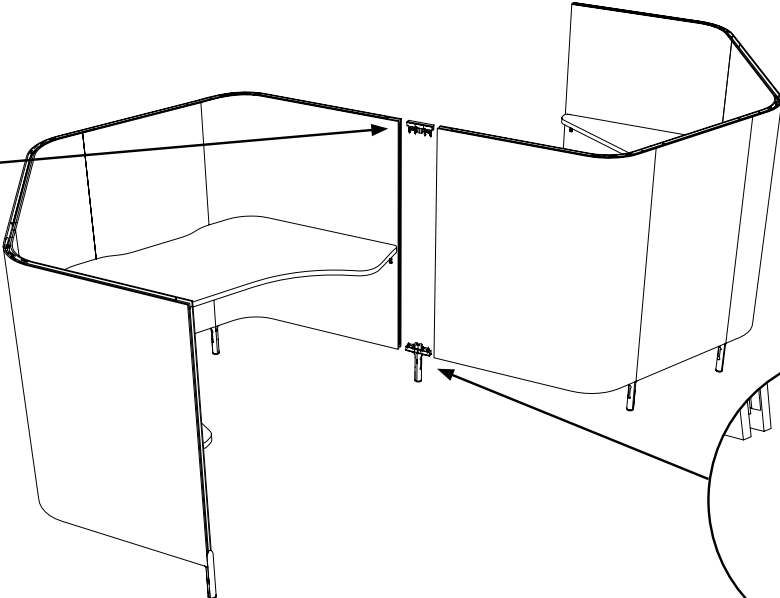
Softpod with 4 Dividers



Softpod with 5 Dividers



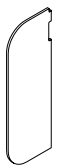
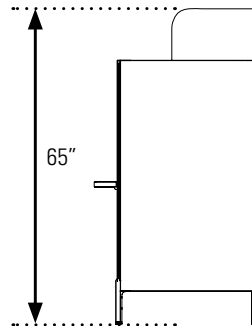
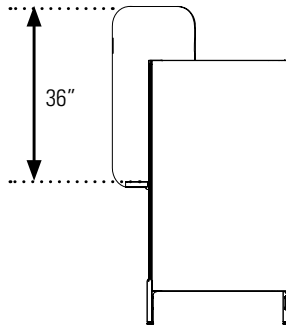
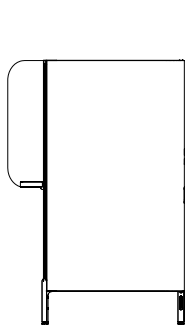
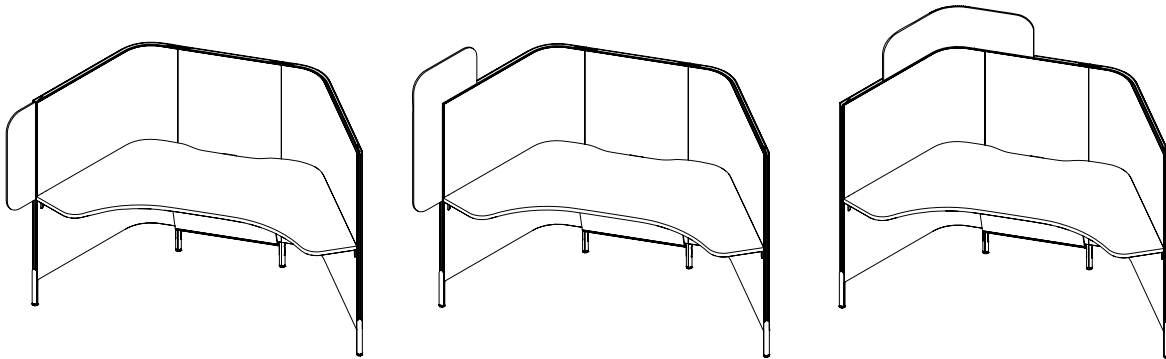
HXPCKIT



* Reuse leg from existing pod

PRIVACY EXTENSIONS

Flexible privacy extensions can be added to any softPOD workstation to adjust the level of privacy based on the user's needs.



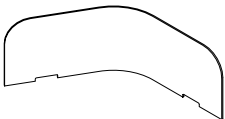
End PET Felt Extension Divider Add-on
 Height: 25.5"
 Depth: 9mm
 Width: 9.5"
 PET Felt
 - solid



Top Corner PET Felt Extension Divider Add-on
 Height: 37"
 Depth: 9mm
 Width: 19.5"
 PET Felt
 - solid
 - perforated



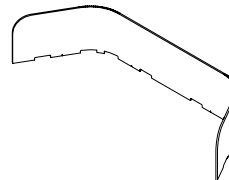
Corner PET Felt Extension Divider Add-on
 Height: 11.5"
 Depth: 9mm
 Width: 38.5"
 PET Felt
 - solid
 - perforated



Corner Semitransparent Extension Panel Add-on
 Height: 11.5"
 Depth: 9mm
 Width: 29.5"
 Acrylic
 - Semitransparent



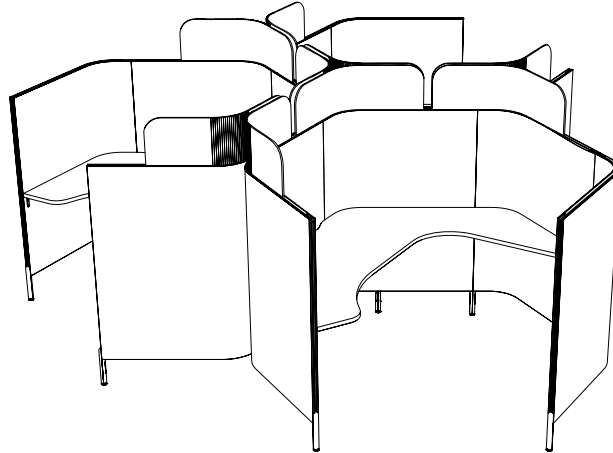
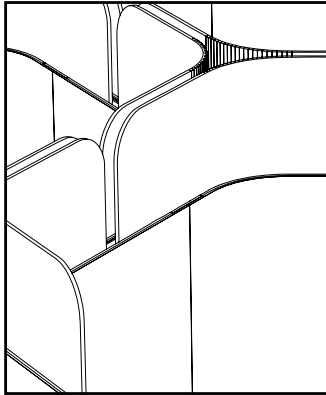
Top PET Felt Extension Divider Add-on for Softpod with 2 Dividers
 Height: 11.5"
 Depth: 9mm
 Width: 55.5"
 PET Felt
 - solid
 - perforated



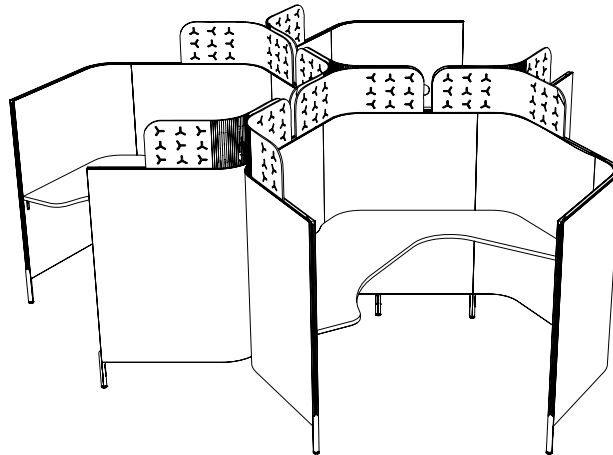
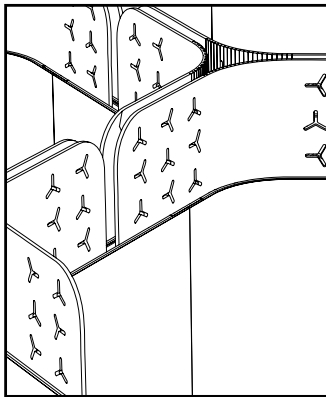
Top PET Felt Extension Divider Add-on for Softpod with 3 Dividers
 Height: 11.5"
 Depth: 9mm
 Width: 78.3"
 PET Felt
 - solid
 - perforated

PRIVACY EXTENSIONS

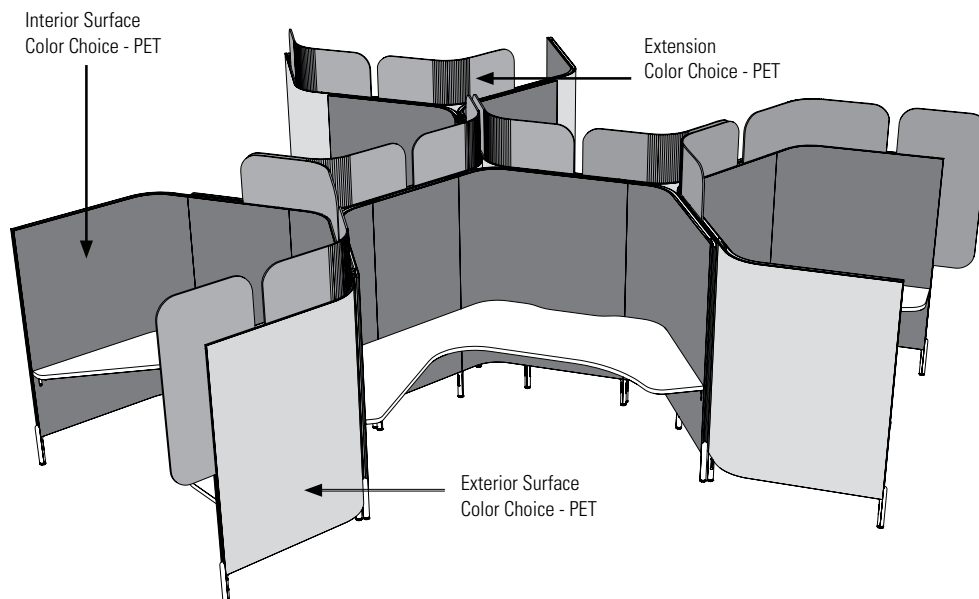
PET Felt - Solid



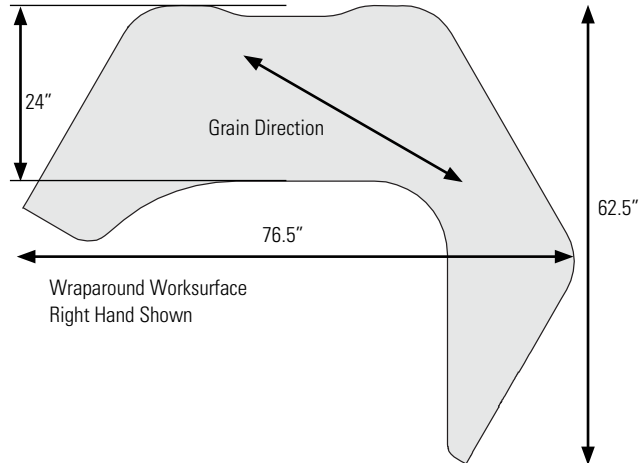
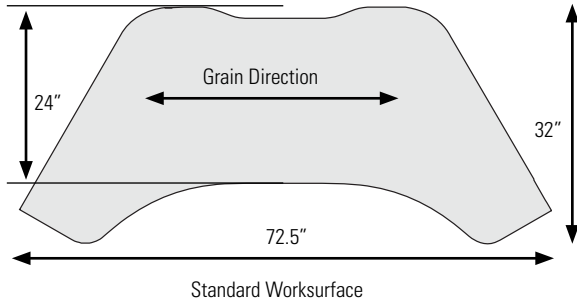
PET Felt - Perforated

**PET FELT COLOR PROGRAMMING**

PET Felt finishes may be the same or different for the interior and exterior of the Softpod. Only one finish may be applied to either the interior or exterior of each divider within each Softpod. Extensions may be in any single PET Felt color to complement or contrast. Due to variations in the color of felt, we recommend a contrasting or complementary color.

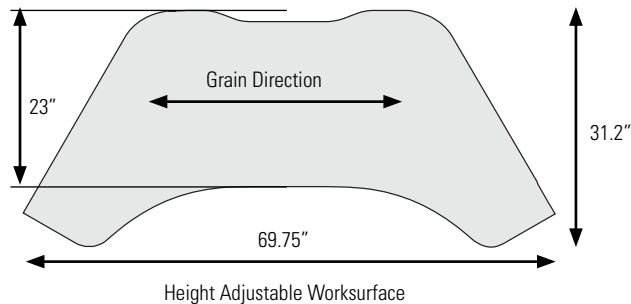
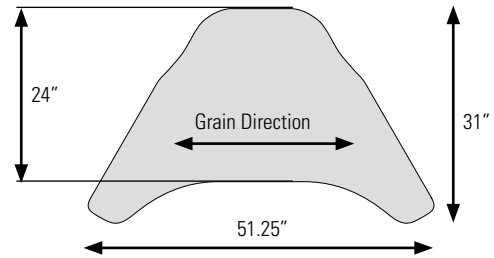
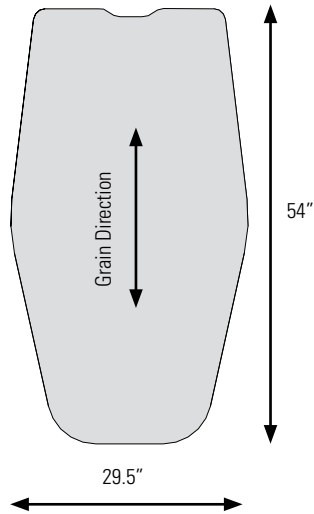
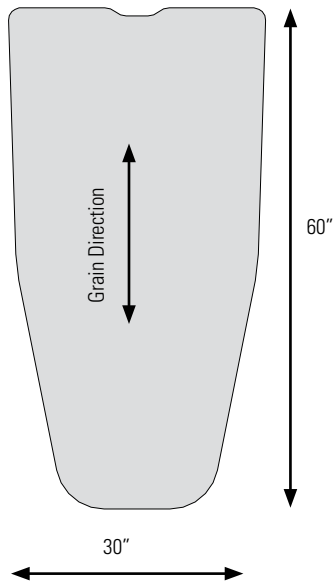


WORKSURFACE DIMENSIONS AND GRAIN DIRECTION



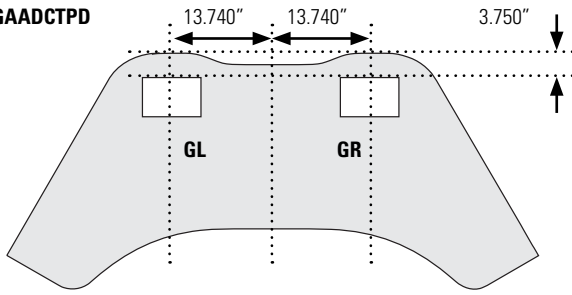
- A single worksurface to be used within Softpod dividers.
- The surface is non-handed with pre-determined mounting points.
- Choose from either standard LP - low pressure laminate or HP - high pressure laminate, with PVC edge.

- A single wraparound worksurface to be used within Softpod dividers.
- The surface is handed L -left or R -right with pre-determined mounting points.
- Compatible with only 4 or 5 divider station configurations
- Choose from either standard LP - low pressure laminate or HP - high pressure laminate, with PVC edge.

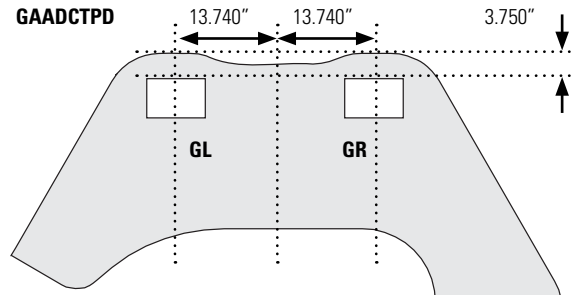


GROMMET LOCATIONS

**GAADDCT/
GAADCTPD**

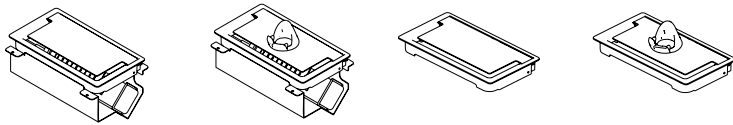


**GAADDCT/
GAADCTPD**

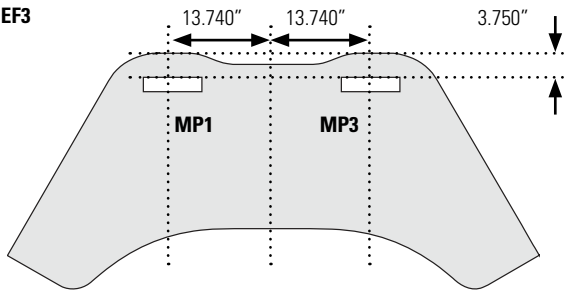


Right Hand Shown

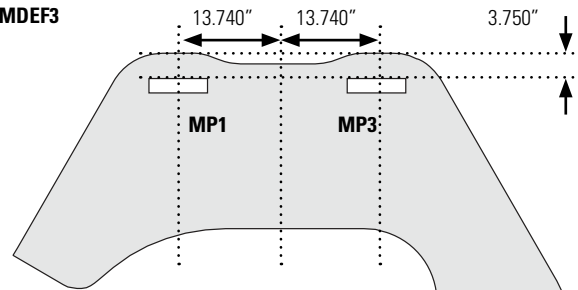
- Grommet cut-out option for GAADS series and ModPower. Top right (TR) or top left (TL). Grommets must be ordered separately.
- GAAD grommet is not available in combination with HXECS (Cable Shroud) and HXEPK (2 Circuit Power Kit).



**PMDSF10
PMDCF3
PMDEF3**

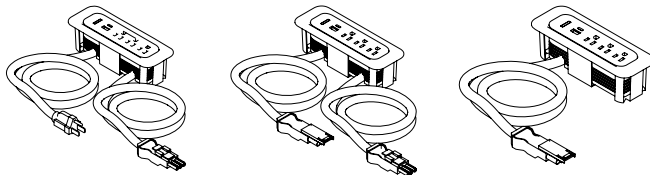


**PMDSF10
PMDCF3
PMDEF3**



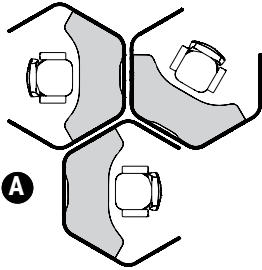
Right Hand Shown

- Grommets must be ordered separately.
- GAAD grommet is not available in combination with HXECS (Cable Shroud) and HXEPK (2 Circuit Power Kit).

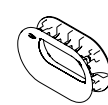
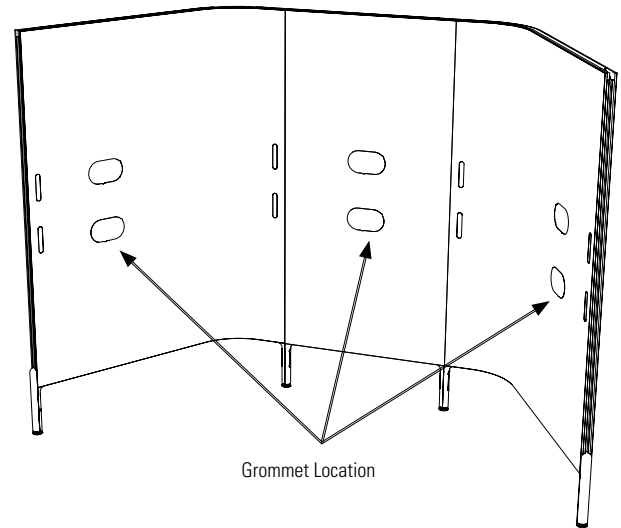


ELECTRICAL

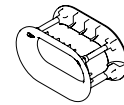
- Power and data lines can enter Softpod via floor, ceiling, or through grommet in the divider. The grommet opening is built into every Softpod divider at a specific location, but it is covered by an on-site removable PET plug.
- A grommet on a single Softpod can also facilitate cable access to a wall outlet.
- Grommets installed on specific dividers facilitate passage of wires through Softpod dividers into adjacent Softpods.
- Orientation of worksurfaces plays an important role when planning Softpod cluster layouts with the need to pass cables between individual Softpods as the cables are best hidden underneath.
- Worksurfaces must have opposing alignment.
- Align units in cluster plan option unit type & orientation.



(A) Worksurfaces must have opposing alignment.



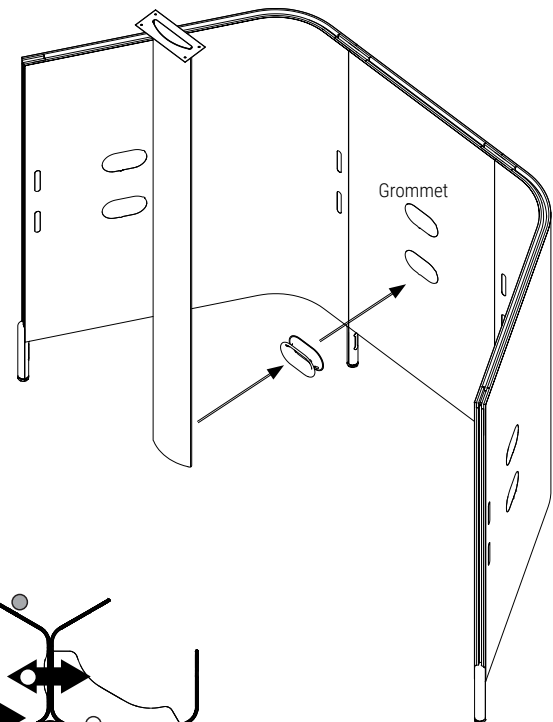
Single Application



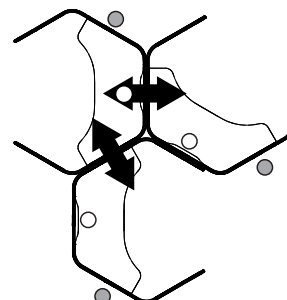
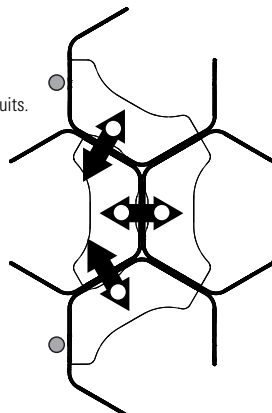
Connecting Application



- Ceiling pole attaches to the divider grommet under worksurface.
- Location of the ceiling pole on the inside of the Softpod is determined by the contoured recess at the back of worksurface.
- White dots below indicate possible ceiling feed pole location within the Pod (must be at the same location as worksurface contoured recess).
- Grey dots indicate possible Ceiling feed pole location outside of the Pod (because cables pass through the divider grommets and under the worksurface).
- Black arrows indicate possible power and data cable passage between Softpods (because cables pass through the divider grommet under the worksurface, through the second divider grommet and into the adjacent Softpod, under worksurface).
- In either case, the cables enter or exit the Softpod through the divider grommet.



Recommended
Maximum 4 unit
cluster per 2 circuits.

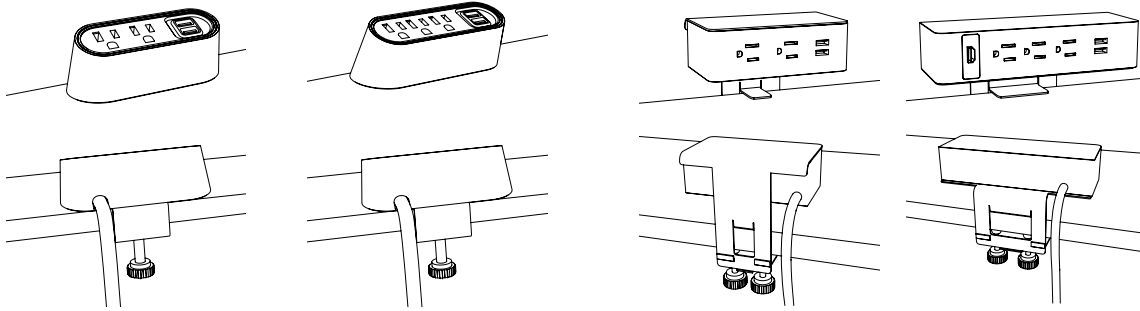


● Ceiling Feed Pole Location

ELECTRICAL OPTIONS

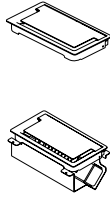
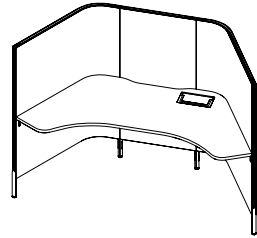
Direct Plug In

- Direct or floor monument outlet plug-in



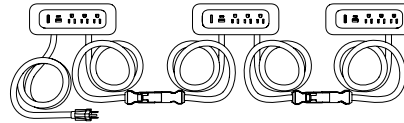
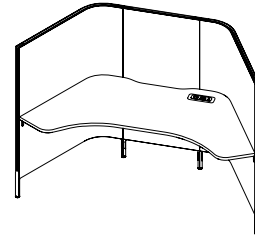
Grommet Application

- In surface.



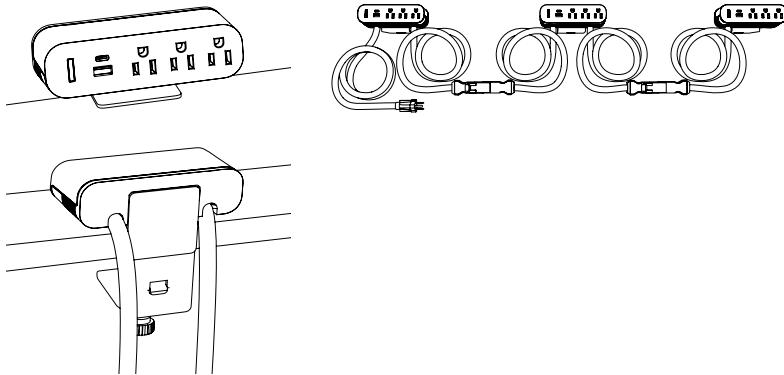
Grommet Application

- In surface Daisy Chain.



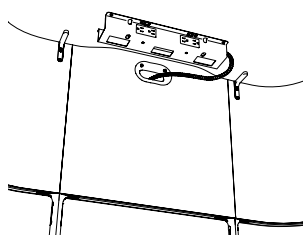
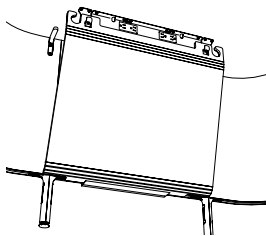
Daisy Chain Interconnect System

- Direct or floor monument outlet plug-in

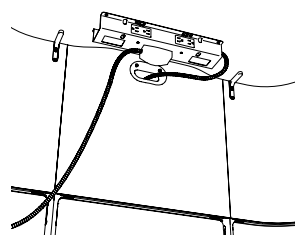


Dual Circuit Power

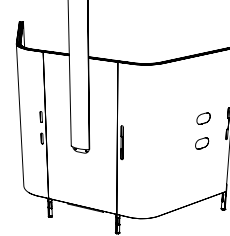
- Hardwired



Floor Feed



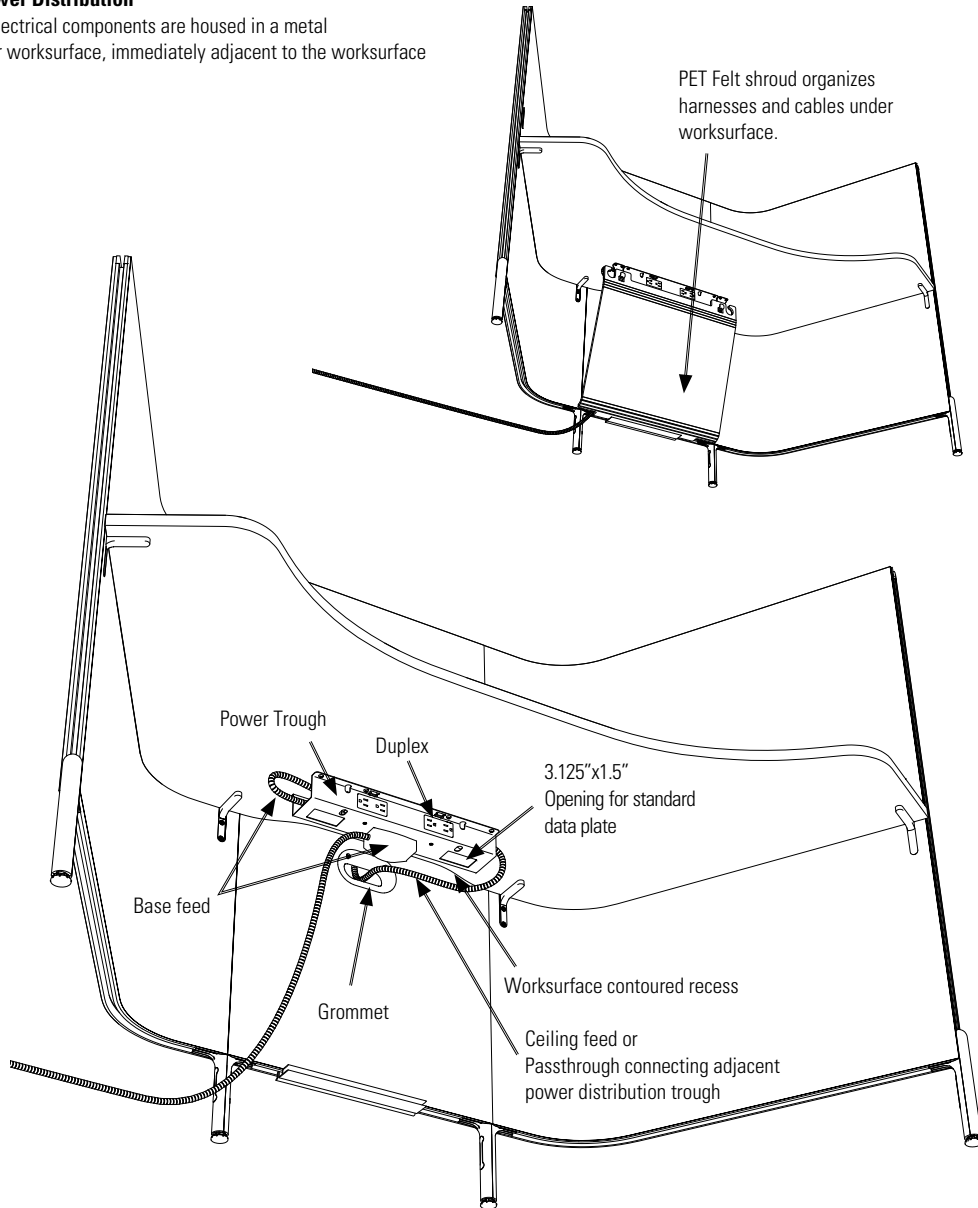
Ceiling Feed



ELECTRICAL

2 Circuit, 4 Wire Power Distribution

The 4-wire, 2-circuit electrical components are housed in a metal trough, mounted under worksurface, immediately adjacent to the worksurface contoured recess.

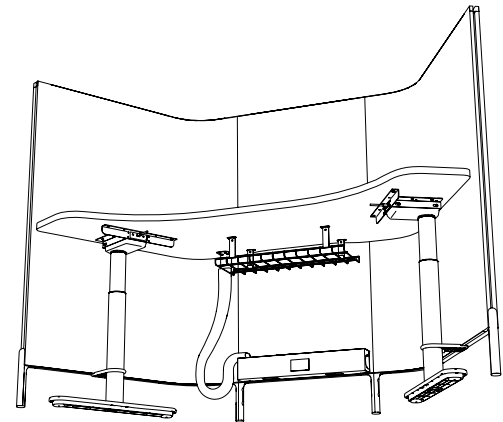
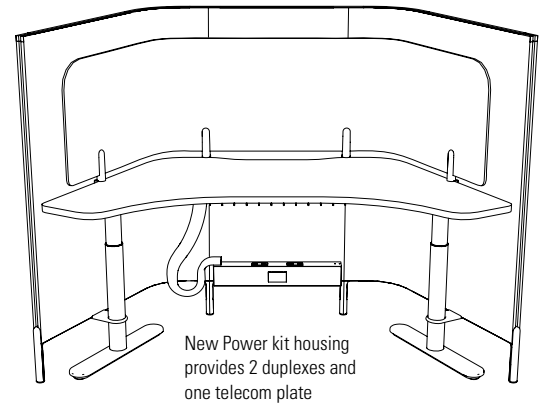
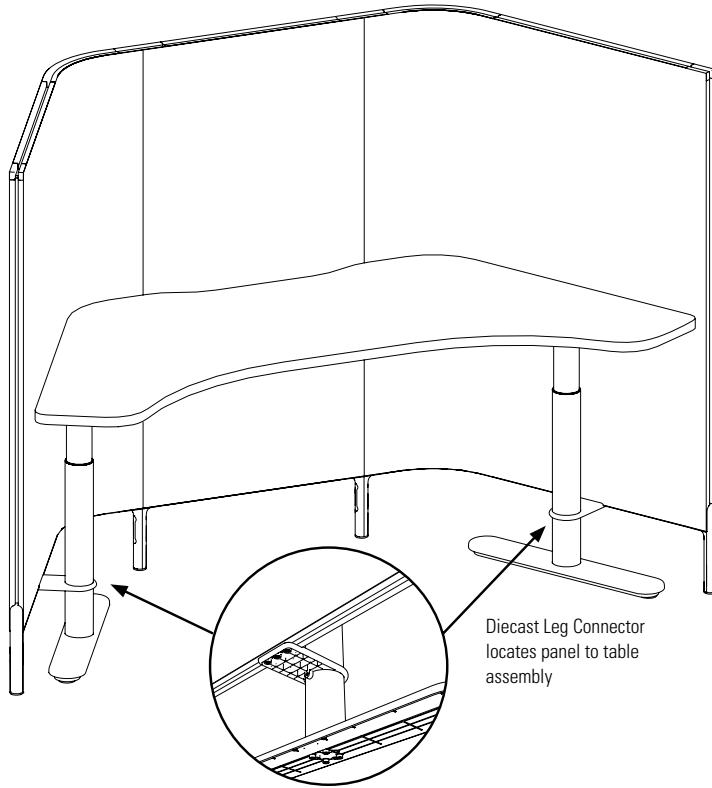


HEIGHT ADJUSTABLE**HX3PH5472SW**

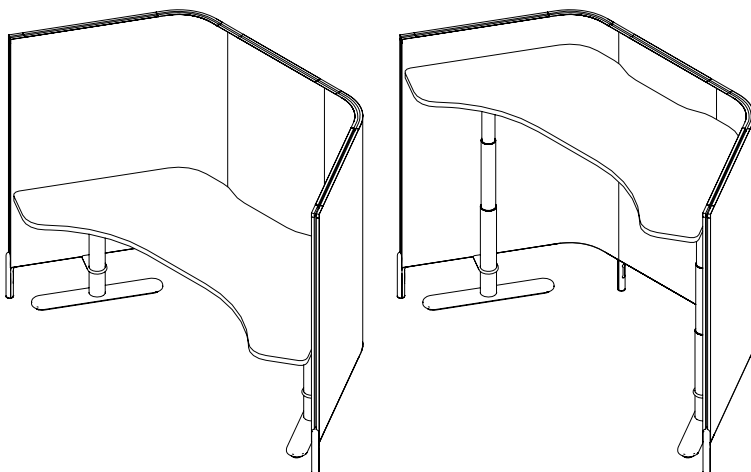
Softpod with 3 Dividers and Height Adjustable Worksurface

Complete 3 divider pod consisting of one straight back divider, two side j-dividers and one height adjustable worksurface.

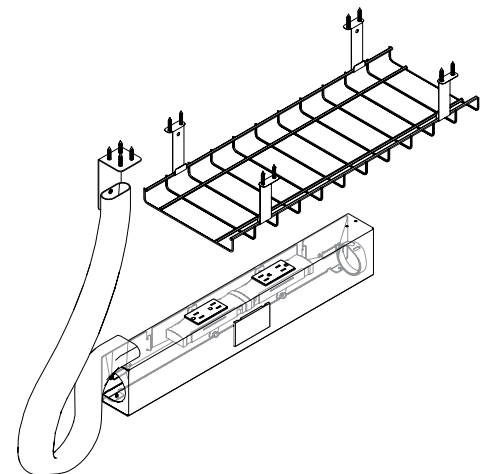
Includes all connecting hardware, tubular legs and supporting brackets

**HXEHP**

Optional electrical kit for use with height adjustable Softpod, includes electrical housing with receptacles, under worksurface cable basket, and black neoprene sock for wire management



Height Range of 22.5" - 48.9" (from top of surface to floor)



HEIGHT ADJUSTABLE BASE SPECIFICATION

Construction:

- Leg column size: 70mm
- Leg and foot materials: steel
- Glide adjustment range: 18mm
- Weight capacity: 1200N/leg
- Operation speed: 1.4 inches/sec (35mm/sec)
- Anti-collision: 6-axis gyro built into control box
- Certifications: ANSI/BIFMA Compliant. UL component level certification.

Three stage leg design:

- Guide/actuator/motor housing design: steel/aluminum/plastic
- Lift capacity: 180 lbs./leg
- Noise level: <50dB

Control box specs NE2/N3:

Control box specs **NE2** for two column:

- Size: 11 5/8" x 1 7/8" x 3 3/4"
- Weight: 1.14 lbs.

Control box specs **N3** for three column:

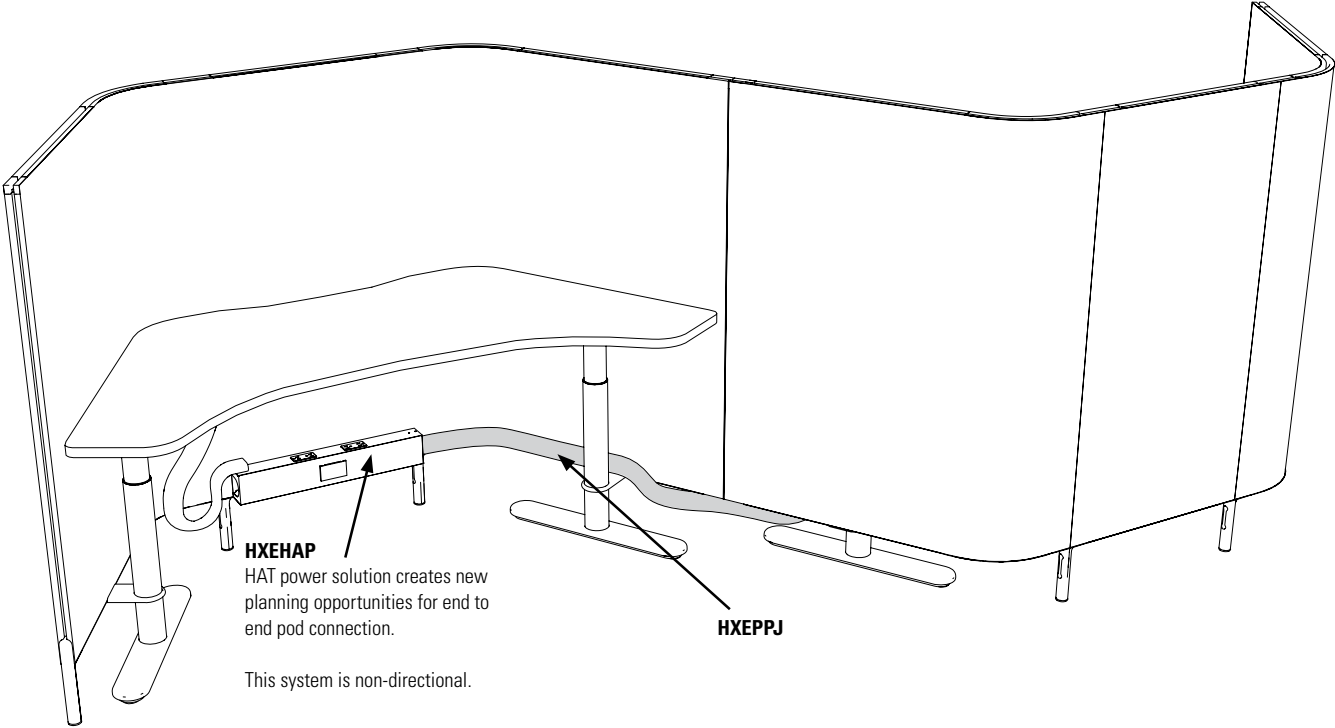
- Size: 12 5/8" x 1 15/16" x 3 11/16"
- Weight: 1.54 lbs

- Voltage: 120V
- Temperatures: below 70°C.
- Color: Black
- Overload protection:
Work duty: 2 min. operation, requires 18 min. rest, otherwise code H01 will show.
Current limitations: single port not larger than 7A, total ports not larger than 15A.
- Type of plug: three prong
- Cord length: 1 meter

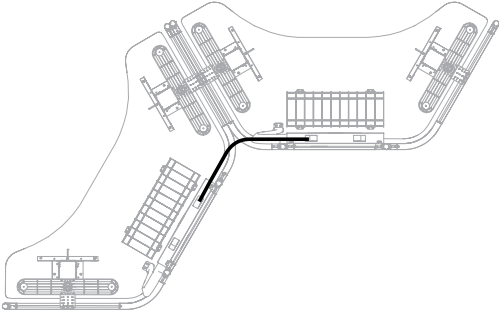
Handset K50C:

- Color: Black
- PVC
- Plug style and cord length: RJ45
- Standby power consumption: < 0.1W
- Active power consumption: NE2 max 350W, N3 max 500W
- Certifications: UL component level certification

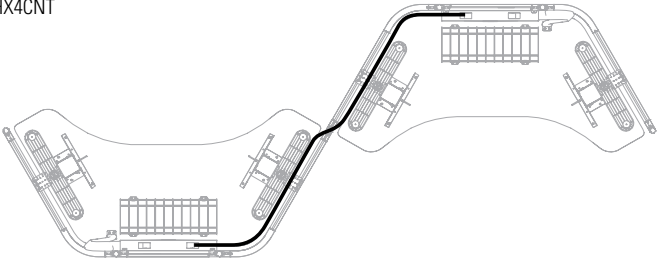
HEIGHT ADJUSTABLE POWER



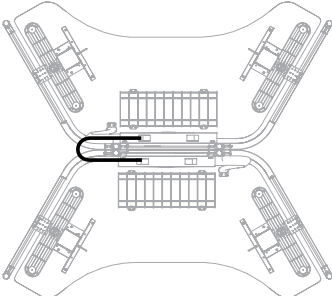
Side to side
Required jumper length - 36"
HXEPPJ36



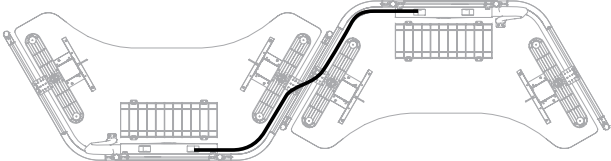
End to end
Required jumper length - 90"
HXEPPJ72
HXEPPJ18
HX4CNT



Back to back
Required jumper length - 24"
HXEPPJ24



Line
Required jumper length - 72"
HXEPPJ72



S SOFTPOD - PLANNING

STORAGE

Hook

For hanging small items like earphones.

Shelf

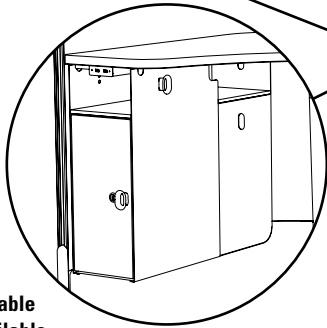
PET Felt liner with rear hole to direct power cords for charging.

Rear Access

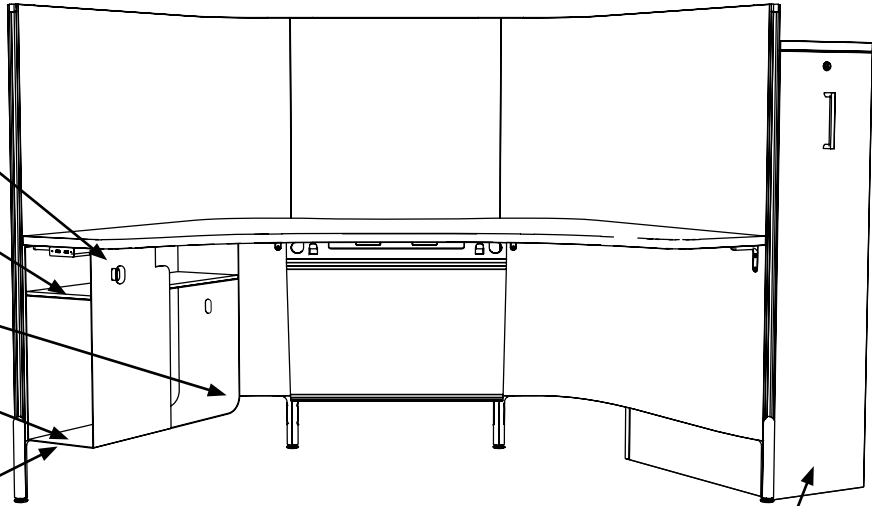
Tuck valuable items out of sight

Bag Drop

Area for storing personal items.

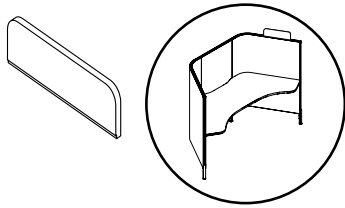


**Optional Lockable
Door Unit Available.**



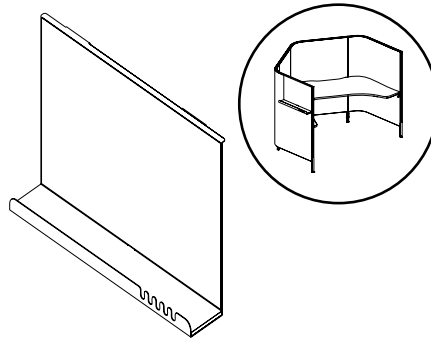
Pantry Storage

Multifunction, customizable storage

ACCESSORIES

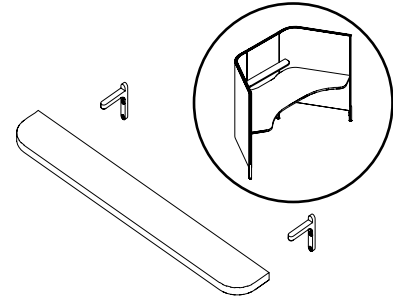
HXNP
Name Plate
 Height: 3.5"
 Depth: 0.5"
 Width: 11"

- Two sided white dry erase surface.



HXAHS
Hanging Shelf
 Height: 16"
 Depth: 3"
 Width: 23.5"

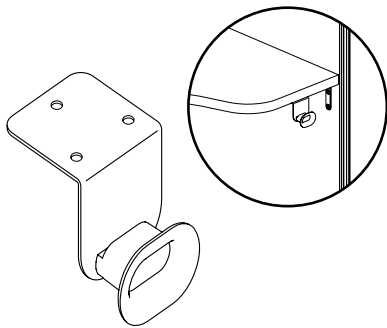
- Optional dry erase board available



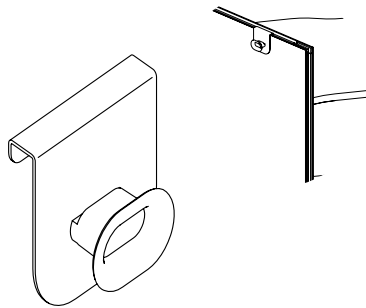
HXARWS
Rear Wall Shelf
 Height: 3/4"
 Depth: 4.5"
 Width: 32.5"

- Laminate

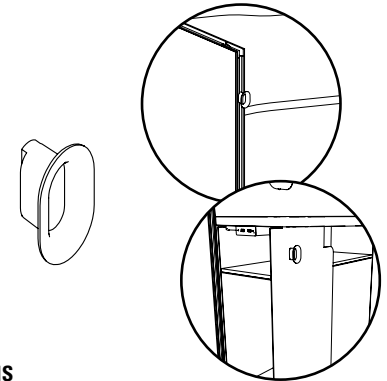
NOTE : Not compatible with Ceiling Feed Pole or any monitor mounts.



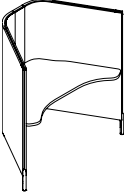
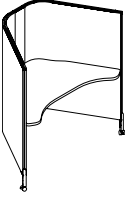
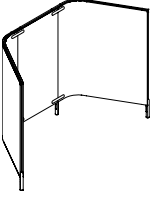
HXABG
Under Surface Bag Hook



HXACHT
Coat, Bag Hook for horizontal divider edge



HXACHS
Coat, Bag Hook for Dividers

SOFTPODS	MODEL#	DIMENSIONS	FREIGHT CLASS	WT/LBS.	CUBIC FT.	LIST PRICE	HP ADD
 <p>Softpod w/2 Dividers and Worksurface*</p>		D x W x H					
	HX2P5452SW	30 x 49 x 54	92.5	87	7.86	\$2934	\$308
 <p>Mobile Softpod w/2 Dividers* and Worksurface</p>							
	HX2PM5452SW	30 x 49 x 54	150	87	17.88	\$2964	\$306
 <p>Softpod w/3 Dividers</p>							
	HX3PF	30 x 72 x 54	125	85	14.1	\$3161	n/a

Complete 2 divider pod consisting of two side j-dividers and one standard worksurface. Installed pod measures 54" h from the floor, 25" from top of surface and has a clearance of 4-7/8" at floor level.

- Dividers are surfaced with tackable PET felt. Interior PET felt color may be different than the outer.
- The divider perimeter reveal trim accepts privacy extensions and is made of polypropylene available only in Charcoal (CHR).
- Worksurface choice of thermally fused (LP) or high pressure (HP) laminate with PVC edge.
- Metal legs are powder coated paint. Specify standard paint finish.
- Complete pod includes all connecting hardware, tubular legs and supporting brackets.
- Extensions, electrical, storage and accessories are specified separately.

Complete 2 divider pod consisting of two side j-dividers and one standard worksurface. Installed pod measures 54" h from the floor, 25" from top of surface and has a clearance of 4-7/8" at floor level.

- Dividers are surfaced with tackable PET felt. Interior PET felt color may be different than the outer.
- The divider perimeter reveal trim accepts privacy extensions and is made of polypropylene available only in Charcoal (CHR).
- Worksurface choice of thermally fused (LP) or high pressure (HP) laminate with PVC edge.
- Metal legs with casters are powder coated paint. Specify standard paint finish.
- Complete pod includes all connecting hardware, tubular legs and supporting brackets.
- Extensions, electrical, storage and accessories are specified separately.

Complete 3 divider pod consisting of one straight back divider and two side j-dividers. Installed pod measures 54" h from the floor and has a clearance of 6-3/8" at floor level.

- Dividers are surfaced with tackable PET felt. Interior PET felt color may be different than the outer.
- The divider perimeter reveal trim accepts privacy extensions and is made of polypropylene available only in Charcoal (CHR).
- Metal legs and stiffeners are powder coated paint. Specify standard paint finish.
- Complete pod includes all connecting hardware, tubular legs and supporting brackets.
- Extensions, electrical, storage and accessories are specified separately.

Required specifications

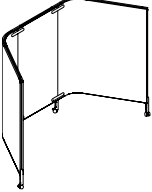
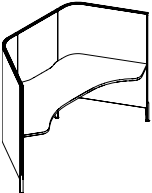

PET felt interior finish
 PET felt exterior finish
 Laminate finish*
 Edge finish* / Leg finish

Optional specifications

HP laminate*
 Grommet option*

Accessories

Keyboard tray*
 Power block*

SOFTPODS	MODEL#	DIMENSIONS	FREIGHT CLASS	WT/LBS.	CUBIC FT.	LIST PRICE	HP ADD
 <p>Mobile Softpod w/3 Dividers</p>		D x W x H					
	HX3PFM	30 x 72 x 54	125	85	14.1	\$3204	n/a
 <p>Softpod w/3 Dividers and Worksurface*</p>							
	HX3P5472SW	30 x 72 x 54	125	141	22.92	\$4320	\$568
 <p>Mobile Softpod w/3 Dividers* and Worksurface</p>							
	HX3PM5472SW	30 x 72 x 54	150	127	23.2	\$4317	\$636

Complete 3 divider pod consisting of one straight back divider and two side j-dividers. Installed pod measures 54”h from the floor and has a clearance of 6-3/8” at floor level.

- Dividers are surfaced with tackable PET felt. Interior PET felt color may be different than the outer.
- The divider perimeter reveal trim accepts privacy extensions and is made of polypropylene available only in Charcoal (CHR).
- Metal legs with casters and stiffeners are powder coated paint. Specify standard paint finish.
- Complete pod includes all connecting hardware, tubular legs and supporting brackets.
- Extensions, electrical, storage and accessories are specified separately.

Complete 3 divider pod consisting of one straight back divider, two side j-dividers and one standard worksurface. Installed pod measures 54”h from the floor, 25” from top of surface and has a clearance of 6-3/8” at floor level.

- Dividers are surfaced with tackable PET felt. Interior PET felt color may be different than the outer.
- The divider perimeter reveal trim accepts privacy extensions and is made of polypropylene available only in Charcoal (CHR).
- Worksurface choice of thermally fused (LP) or high pressure (HP) laminate with PVC edge.
- Metal legs are powder coated paint. Specify standard paint finish.
- Complete pod includes all connecting hardware, tubular legs and supporting brackets.
- Extensions, electrical, storage and accessories are specified separately.

Complete 3 divider pod consisting of one straight back divider, two side j-dividers and one standard worksurface. Installed pod measures 54”h from the floor, 25” from top of surface and has a clearance of 6-3/8” at floor level.

- Dividers are surfaced with tackable PET felt. Interior PET felt color may be different than the outer.
- The divider perimeter reveal trim accepts privacy extensions and is made of polypropylene available only in Charcoal (CHR).
- Worksurface choice of thermally fused (LP) or high pressure (HP) laminate with PVC edge.
- Metal legs with casters are powder coated paint. Specify standard paint finish.
- Complete pod includes all connecting hardware, tubular legs and supporting brackets.
- Extensions, electrical, storage and accessories are specified separately.

Required specifications

PET felt interior finish
 PET felt exterior finish
 Laminate finish*
 Edge finish* / Leg finish

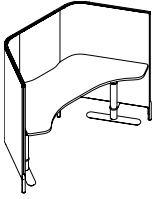
Optional specifications

HP laminate*
 Grommet option*

Accessories

Keyboard tray*
 Power block*

SOFTPODS	MODEL#	DIMENSIONS	FREIGHT CLASS	WT./LBS.	CUBIC FT.	LIST PRICE	HP ADD
----------	--------	------------	---------------	----------	-----------	------------	--------



Softpod w/3 Dividers and Height Adjustable Worksurface*

	D x W x H						
HX3PH5472SW	30 x 72 x 54	150	133	23.48	\$5684	\$636	

Complete 3 divider pod consisting of one straight back divider, two side j-dividers and one height adjustable worksurface.

Installed pod measures 54" h from the floor and has a clearance of 6-3/8" at floor level.

- Dividers are surfaced with tackable PET felt. Interior PET felt color may be different than the outer.
- The divider perimeter reveal trim accepts privacy extensions and is made of polypropylene available only in Charcoal (CHR).
- Worksurface choice of thermally fused (LP) or high pressure (HP) laminate with PVC edge.
- Panel legs are powder coated paint. Specify standard paint finish.
- Height adjustable legs are powder coated. Specify Black (BLK), Blizzard (BZD), Charcoal (CHR), Designer White (DWT), Nevada (NEV), Stonedust (SDT), Silver (SIL), Taupe (TPE) and Tungsten (TUN).
- Complete pod includes all connecting hardware, tubular legs and supporting brackets.
- Extensions, electrical, storage and accessories are specified separately.



Softpod w/4 Dividers

HX4PF	30 x 72 x 54	125	85	14.1	\$4318	n/a	
-------	--------------	-----	----	------	---------------	-----	--

Complete 4 divider pod consisting of one straight back divider and three side j-dividers. Installed pod measures 54" h from the floor and has a clearance of 6-3/8" at floor level.

- Dividers are surfaced with tackable PET felt. Interior PET felt color may be different than the outer.
- The divider perimeter reveal trim accepts privacy extensions and is made of polypropylene available only in Charcoal (CHR).
- Metal legs and stiffeners are powder coated paint. Specify standard paint finish.
- Complete pod includes all connecting hardware, tubular legs and supporting brackets.
- Extensions, electrical, storage and accessories are specified separately.



Mobile Softpod w/4 Dividers

HX4PFM	30 x 72 x 54	100	117	14.1	\$4373	n/a	
--------	--------------	-----	-----	------	---------------	-----	--

Complete 4 divider pod consisting of one straight back divider and three side j-dividers. Installed pod measures 54" h from the floor and has a clearance of 6-3/8" at floor level.

- Dividers are surfaced with tackable PET felt. Interior PET felt color may be different than the outer.
- The divider perimeter reveal trim accepts privacy extensions and is made of polypropylene available only in Charcoal (CHR).
- Metal legs and stiffeners are powder coated paint. Specify standard paint finish.
- Complete pod includes all connecting hardware, tubular legs and supporting brackets.
- Extensions, electrical, storage and accessories are specified separately.

Required specifications

PET felt interior finish
 PET felt exterior finish
 Laminate finish*
 Edge finish* / Leg finish

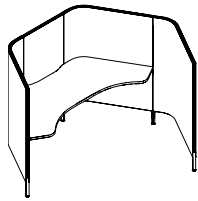
Optional specifications

HP laminate*
 Grommet option*

Accessories

Keyboard tray*
 Power block*

SOFTPODS	MODEL#	DIMENSIONS	FREIGHT CLASS	WT/LBS.	CUBIC FT.	LIST PRICE	HP ADD
----------	--------	------------	---------------	---------	-----------	------------	--------

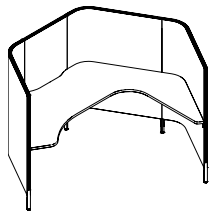


Softpod w/4 Dividers and Worksurface

	D x W x H						
HX4P5472SW	65 x 72 x 54	125	170	25.41	\$5423	\$568	

Complete 4 divider pod consisting of one straight back divider, three side j-dividers and one standard worksurface. Installed pod measures 54”h from the floor, 25” from top of surface and has a clearance of 6-3/8” at floor level.

- Dividers are surfaced with tackable PET felt. Interior PET felt color may be different than the outer.
- The divider perimeter reveal trim accepts privacy extensions and is made of polypropylene available only in Charcoal (CHR).
- Worksurface choice of thermally fused (LP) or high pressure (HP) laminate with PVC edge.
- Metal legs are powder coated paint. Specify standard paint finish.
- Complete pod includes all connecting hardware, tubular legs and supporting brackets.
- J-divider may be installed on the left or right.
- Extensions, electrical, storage and accessories are specified separately.



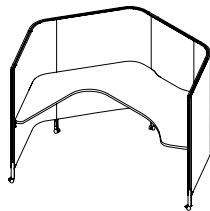
right shown

Softpod w/4 Dividers and Wraparound Worksurface

Left:							
HX4P5472LW	65 x 72 x 54	100	117	14.1	\$5904	\$800	
Right:							
HX4P5472RW	65 x 72 x 54	125	185	25.41	\$5904	\$800	

Complete 4 divider pod consisting of one straight back divider, three side j-dividers and one standard wraparound worksurface. Installed pod measures 54”h from the floor, 25” from top of surface and has a clearance of 6-3/8” at floor level.

- Dividers are surfaced with tackable PET felt. Interior PET felt color may be different than the outer.
- The divider perimeter reveal trim accepts privacy extensions and is made of polypropylene available only in Charcoal (CHR).
- Worksurface choice of thermally fused (LP) or high pressure (HP) laminate with PVC edge.
- Metal legs are powder coated paint. Specify standard paint finish.
- Complete pod includes all connecting hardware, tubular legs and supporting brackets.
- Extensions, electrical, storage and accessories are specified separately.



left shown

Mobile Softpod w/4 Dividers and Wraparound Worksurface

Left:							
HX4PM5472LW	65 x 72 x 54	125	168	25.4	\$5854	\$895	
Right:							
HX4PM5472RW	65 x 72 x 54	125	168	25.4	\$5854	\$895	

Complete 4 divider pod consisting of one straight back divider, three side j-dividers and one standard wraparound worksurface. Installed pod measures 54”h from the floor, 25” from top of surface and has a clearance of 6-3/8” at floor level.

- Dividers are surfaced with tackable PET felt. Interior PET felt color may be different than the outer.
- The divider perimeter reveal trim accepts privacy extensions and is made of polypropylene available only in Charcoal (CHR).
- Worksurface choice of thermally fused (LP) or high pressure (HP) laminate with PVC edge.
- Metal legs with casters are powder coated paint. Specify standard paint finish.
- Complete pod includes all connecting hardware, tubular legs and supporting brackets.
- Extensions, electrical, storage and accessories are specified separately.

Required specifications

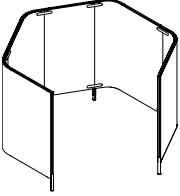
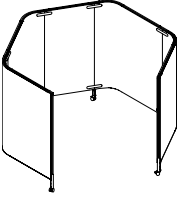
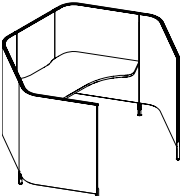
PET felt interior finish
 PET felt exterior finish
 Laminate finish
 Edge finish / Leg finish

Optional specifications

HP laminate
 Grommet option

Accessories

Keyboard tray
 Power block

SOFTPODS	MODEL#	DIMENSIONS	FREIGHT CLASS	WT/LBS.	CUBIC FT.	LIST PRICE	HP ADD
 <p>Softpod w/5 Dividers</p>	HX5PF	D x W x H 65 x 72 x 54	150	148	28.24	\$5474	n/a
 <p>Mobile Softpod w/5 Dividers</p>	HX5PFM	65 x 72 x 54	150	148	28.24	\$5544	n/a
 <p>Softpod w/5 Dividers and Worksurface*</p>	HX5P5472SW	65 x 72 x 54	125	198	25.41	\$6623	\$569

Complete 5 divider pod consisting of one straight back divider and four side j-dividers. Installed pod measures 54" h from the floor and has a clearance of 6-3/8" at floor level.

- Dividers are surfaced with tackable PET felt. Interior PET felt color may be different than the outer.
- The divider perimeter reveal trim accepts privacy extensions and is made of polypropylene available only in Charcoal (CHR).
- Metal legs and stiffeners are powder coated paint. Specify standard paint finish.
- Complete pod includes all connecting hardware, tubular legs and supporting brackets.
- Extensions, electrical, storage and accessories are specified separately.

Complete 5 divider pod consisting of one straight back divider and four side j-dividers. Installed pod measures 54" h from the floor and has a clearance of 6-3/8" at floor level.

- Dividers are surfaced with tackable PET felt. Interior PET felt color may be different than the outer.
- The divider perimeter reveal trim accepts privacy extensions and is made of polypropylene available only in Charcoal (CHR).
- Metal legs with casters and stiffeners are powder coated paint. Specify standard paint finish.
- Complete pod includes all connecting hardware, tubular legs and supporting brackets.
- Extensions, electrical, storage and accessories are specified separately.

Complete 5 divider pod consisting of one straight back divider, four side j-dividers and one standard worksurface. Installed pod measures 54" h from the floor, 25" from top of surface and has a clearance of 6-3/8" at floor level.

- Dividers are surfaced with tackable PET felt. Interior PET felt color may be different than the outer.
- The divider perimeter reveal trim accepts privacy extensions and is made of polypropylene available only in Charcoal (CHR).
- Worksurface choice of thermally fused (LP) or high pressure (HP) laminate with PVC edge.
- Metal legs are powder coated paint. Specify standard paint finish.
- Complete pod includes all connecting hardware, tubular legs and supporting brackets.
- J-dividers can be installed both on left or right side or one on each side.
- Extensions, electrical, storage and accessories are specified separately.

Required specifications

PET felt interior finish
 PET felt exterior finish
 Laminate finish*
 Edge finish* / Leg finish

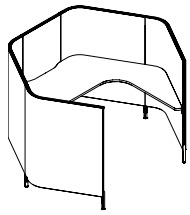
Optional specifications

HP laminate*
 Grommet option*

Accessories

Keyboard tray*
 Power block*

SOFTPODS	MODEL#	DIMENSIONS	FREIGHT CLASS	WT/LBS.	CUBIC FT.	LIST PRICE	HP ADD
----------	--------	------------	---------------	---------	-----------	------------	--------



right shown

**Softpod w/5 Dividers and*
Wraparound Worksurface**

D x W x H							
Left:							
HX5P5472LW	65 x 72 x 54	100	213.36	25.41	\$7034	\$799	
Right:							
HX5P5472RW	65 x 72 x 54	100	213.36	25.41	\$7034	\$799	

Complete 5 divider pod consisting of one straight back divider, four side j-dividers and one standard wraparound worksurface. Installed pod measures 54" h from the floor, 25" from top of surface and has a clearance of 6-3/8" at floor level.

- Dividers are surfaced with tackable PET felt. Interior PET felt color may be different than the outer.
- The divider perimeter reveal trim accepts privacy extensions and is made of polypropylene available only in Charcoal (CHR).
- Worksurface choice of thermally fused (LP) or high pressure (HP) laminate with PVC edge.
- Metal legs are powder coated paint. Specify standard paint finish.
- Complete pod includes all connecting hardware, tubular legs and supporting brackets.
- J-divider may be installed on the left or right.
- Extensions, electrical, storage and accessories are specified separately.

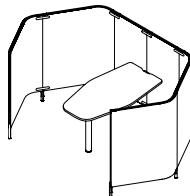


Softpod w/6 Dividers

HX6PF	65 x 96 x 54	125	171	28.24	\$6627	n/a	
-------	--------------	-----	-----	-------	---------------	-----	--

Complete 6 divider pod consisting of two straight back dividers and four side j-dividers. Installed pod measures 54" h from the floor and has a clearance of 6-3/8" at floor level.

- Dividers are surfaced with tackable PET felt. Interior PET felt color may be different than the outer.
- The divider perimeter reveal trim accepts privacy extensions and is made of polypropylene available only in Charcoal (CHR).
- Metal legs and stiffeners are powder coated paint. Specify standard paint finish.
- Complete pod includes all connecting hardware, tubular legs and supporting brackets.
- Extensions, electrical, storage and accessories are specified separately.



**Softpod w/6 Dividers and D-Top*
Worksurface**

HX6PFD	54 x 96 x 54	300	218	191	\$7543	\$341	
--------	--------------	-----	-----	-----	---------------	--------------	--

Complete 6 divider pod consisting of two straight back dividers, four side j-dividers and one collaborative worksurface. Installed pod measures 54" h from the floor and has a clearance of 6-3/8" at floor level.

- Dividers are surfaced with tackable PET felt. Interior PET felt color may be different than the outer.
- The divider perimeter reveal trim accepts privacy extensions and is made of polypropylene available only in Charcoal (CHR).
- Metal legs and stiffeners are powder coated paint. Specify standard paint finish.
- Complete pod includes all connecting hardware, tubular legs and supporting brackets.
- Extensions, electrical, storage and accessories are specified separately.

Required specifications


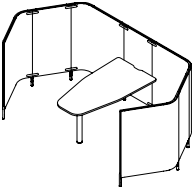
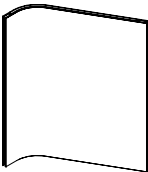
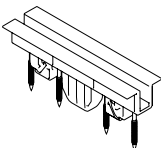
PET felt interior finish
 PET felt exterior finish
 Laminate finish*
 Edge finish* / Leg finish

Optional specifications

HP laminate*
 Grommet option*

Accessories

Keyboard tray*
 Power block*

SOFTPODS	MODEL#	DIMENSIONS D x W x H	FREIGHT CLASS	WT/LBS.	CUBIC FT.	LIST PRICE	HP ADD
	HX7PF	65 x 119 x 54	125	193	28.24	\$7450	n/a
Softpod w/7 Dividers	<p>Complete 7 divider pod consisting of two straight back dividers and four side j-dividers. Installed pod measures 54" h from the floor and has a clearance of 6-3/8" at floor level.</p> <ul style="list-style-type: none"> • Dividers are surfaced with tackable PET felt. Interior PET felt color may be different than the outer. • The divider perimeter reveal trim accepts privacy extensions and is made of polypropylene available only in Charcoal (CHR). • Metal legs and stiffeners are powder coated paint. Specify standard paint finish. • Complete pod includes all connecting hardware, tubular legs and supporting brackets. • Extensions, electrical, storage and accessories are specified separately. 						
	HX7PFD	65 x 119 x 54	100	247	30.76	\$8559	\$341
Softpod w/7 Dividers and D-Top* Worksurface	<p>Complete 7 divider pod consisting of two straight back dividers, four side j-dividers and one collaborative worksurface. Installed pod measures 54" h from the floor and has a clearance of 6-3/8" at floor level.</p> <ul style="list-style-type: none"> • Dividers are surfaced with tackable PET felt. Interior PET felt color may be different than the outer. • The divider perimeter reveal trim accepts privacy extensions and is made of polypropylene available only in Charcoal (CHR). • Metal legs and stiffeners are powder coated paint. Specify standard paint finish. • Complete pod includes all connecting hardware, tubular legs and supporting brackets. • Extensions, electrical, storage and accessories are specified separately. 						
	HXP5430AP	6 x 30 x 54	300	28.3	16.17	\$1237	
Single J-divider	<p><i>To be ordered as an add-on to a previously ordered 3-divider or 4-divider pod.</i> A single divider is curved; non-handed; symmetrical along the horizontal axis. J-dividers are surfaced with PET felt. Interior PET felt color may be different than the outer. Installed pod measures 54" h from the floor, 25" from top of surface and has a clearance of 6-3/8" at floor level.</p> <ul style="list-style-type: none"> • The divider perimeter reveal trim accepts privacy extensions and is made of polypropylene available only in Charcoal (CHR). • J-divider comes complete with top connector kit, shared leg kit and trim. • If a single J-divider is ordered as an add-on to a previous order, the PET felt finish may or may not match based on dyelot and fading. • J-divider is not freestanding. 						
	HXPCKIT	2.25 x 6 x 2.25	70	1	0.04	\$42	
Connection Kit	<p>Kit consists of all hardware required to connect two Softpods end-to-end. For use in specials when a customer wants to link several Softpods together.</p>						

Required specifications

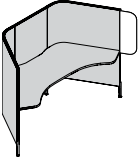
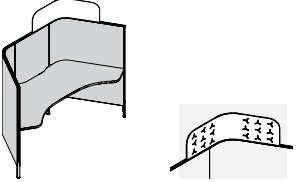
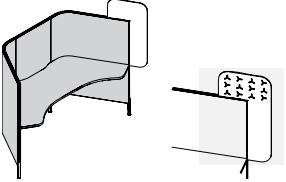
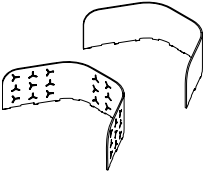
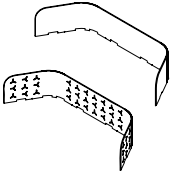
PET felt interior finish
 PET felt exterior finish
 Laminate finish*
 Edge finish* / Leg finish

Optional specifications

HP laminate*
 Grommet option*

Accessories

Keyboard tray*
 Power block*

SOFTPOD EXTENSIONS	MODEL#	DIMENSIONS	FREIGHT CLASS	WT/LBS.	CUBIC FT.	LIST PRICE
 <p>End PET Felt Extension Divider Add-on</p>		D x W x H				
	HXPAAEFE	0.35 x 9.3 x 25.4	70	0.63	0.05	\$60
 <p>Corner PET Felt Extension Divider Add-on</p>	HXPACFE	0.35 x 38.3 x 11.69	70	1.16	0.09	\$106
	HXPACFEP	0.35 x 38.3 x 11.69	70	1.16	0.09	\$412
	HXPATCFE	0.35 x 19.5 x 37.1	70	1.25	0.15	\$116
 <p>Top Corner PET Felt Extension Divider Add-on</p>	HXPATCFEP	0.35 x 19.5 x 37.1	70	1.25	0.15	\$275
	HXPA1CFE	0.35 x 55.51 x 11.69	70	2	0.13	\$193
 <p>PET Felt Extension Divider Add-on for Softpod w/2 Dividers</p>	HXPA1CFEP	0.35 x 55.51 x 11.69	70	2	0.13	\$386
	HXPA2CFE	0.35 x 55.51 x 11.69	70	3	0.19	\$220
 <p>PET Felt Extension Divider Add-on for Softpod w/3 Dividers</p>	HXPA2CFEP	0.35 x 55.51 x 11.69	70	3	0.19	\$437

Designed to add 8.7" of additional depth privacy at the end of the divider. Fits into the base perimeter reveal and placement is user oriented.

- PET felt divider surface is tackable.
- *Not available with perforated pattern.*

Designed to add 11.1" of additional height privacy at the top corner of the divider. Fits into the divider perimeter reveal and placement is user oriented. Pod with Corner PET Felt Extension Divider Add-on installed measures 65" from floor, 36" from top of worksurface.

- PET felt divider surface is tackable.
- Perforated pattern option available, shown with "P" at the end of the code.

Designed to add 8.7" of additional height privacy at the top of the divider and 11.1" depth at the end of the divider. Fits into the divider perimeter reveal and placement is user oriented. Pod with Corner PET Felt Extension Divider Add-on installed measures 65" from floor, 36" from top of worksurface.

- PET felt divider surface is tackable.
- Perforated pattern option available, shown with "P" at the end of the code.

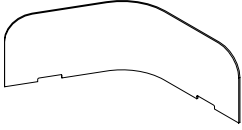
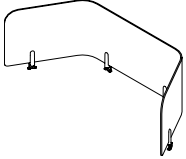
Designed to add 11.1" of additional privacy at the top of the divider assembly. Fits into the base perimeter reveal and placement is user oriented. Pod with PET Felt Extension Divider Add-on installed measures 65" from floor, 36" from top of worksurface.

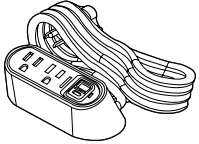
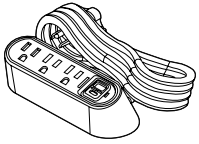
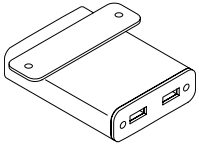
- PET felt divider surface is tackable.
- Perforated pattern option available, shown with "P" at the end of the code.

Designed to add 11.1" of additional privacy at the top of the divider assembly. Fits into the base perimeter reveal and placement is user oriented. Pod with PET Felt Extension Divider Add-on installed measures 65" from floor, 36" from top of worksurface.

- PET felt divider surface is tackable.
- Perforated pattern option available, shown with "P" at the end of the code.

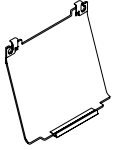
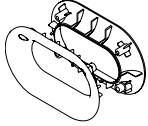
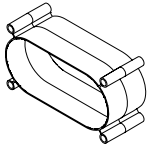
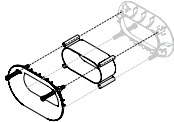
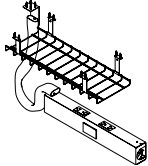
Required specifications
PET felt finish

SOFTPOD EXTENSIONS	MODEL#	DIMENSIONS	FREIGHT CLASS	WT/LBS.	CUBIC FT.	LIST PRICE
 <p>Corner Semitransparent Extension Panel Add-on*</p>		D x W x H				
	HXPACFES	16.8 x 29.50 x 11.69	70	1	3.35	\$1051
<p>Designed to add 11" of additional privacy on top of the divider assembly. Fits into the base perimeter reveal and placement is user oriented. Pod with Extension Panel Add-on installed measures 65" from floor, 36" from top of worksurface. Divider is frosted for added privacy.</p> <ul style="list-style-type: none"> Available in three colors: Translucent (TNC), Blue (TNB) and Yellow (TNY). Specify finish. 						
 <p>PET Felt Extension Panel Add-on for Softpod Height Adjustable Table**</p>	HXPACFEH	16.8 x 29.50 x 11.69	250	6	1.65	\$441
	HXPACFEHP	16.8 x 29.50 x 11.69	250	6	1.65	\$884
<p>Designed to add 20" of additional privacy on top of the height adjustable worksurface. Aluminum mounting brackets fasten to underside of worksurface. Curved PET fits into aluminum mounting brackets. PET Felt Panel Add-on installed measures 69" from floor, 20" from top of worksurface.</p> <ul style="list-style-type: none"> PET felt privacy screen surface is tackable. Perforated pattern option available, shown with "P" at the end of the code. 						

POWER/DATA	MODEL#	DIMENSIONS	FREIGHT CLASS	WT/LBS.	CUBIC FT.	LIST PRICE
 <p>DPC Slim Desktop 2 Power/USB-A + C</p>	PSDPC22W	2.25 x 4.88 x 2.25	60	2.5	0.05	\$324
	<p>Desktop power center with two 15A tamper resistant power receptacles, one USB-A port and one USB-C port (provides 3.1A). 10' cord with molded plug. Includes three mounting options: a screw-in mounting plate for forward facing outlets; under surface mount bracket; or a clamp mounting kit for 0.5"-1.5" thick surfaces. Gloss White body with Grey face.</p>					
 <p>DPC Slim Desktop 3 Power/USB-A + C</p>	PSDPC32W	2.25 x 6 x 2.25	60	2.6	0.05	\$432
	<p>Desktop power center with three 15A tamper resistant power receptacles, one USB-A port and one USB-C port (provides 3.1A). 10' cord with molded plug. Includes three mounting options: a screw-in mounting plate for forward facing outlets; under surface mount bracket; or a clamp mounting kit for 0.5"-1.5" thick surfaces. Gloss White body with Grey face.</p>					
 <p>Under Worksurface/Edge USB Charger</p>	HXEUWC	4 x 3 x 1	70	0.31	0.01	\$546
	<p>Under surface table-mounted module with dual USB-A & -C charging ports. Consists of one 15 watt USB-C charging outlet and one 2.1 amp USB-A charging outlet. Unit has white housing, white powder coated mounting bracket and white electrical cord.</p>					

Required specifications

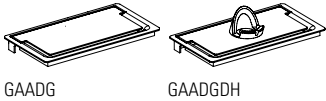
- Acrylic color*
- PET felt finish**

POWER/DATA	MODEL#	DIMENSIONS D x W x H	FREIGHT CLASS	WT./LBS.	CUBIC FT.	LIST PRICE
 <p>Cable Shroud**</p>	HXECS	9.73 x 23.5 x 20.85	70	1.62	2.87	\$113
	<p>Secures to the bottom of the worksurface and clips to the bottom of straight section of any divider. Includes all connecting hardware. Specify PET felt color.</p>					
	 <p>Divider Grommet Kit**</p>	HXEPGK	2.75 x 5.5 x 3.25	70	0.27	0.02
<p>Facilitates passage of wires through any softPOD divider. Can be located either below or above the worksurface. Installed on site; no need to order special dividers. Powder coated die-cast aluminum divider grommet - specify Charcoal (CHR) or White (DWT). Can be installed on a single panel or to connect two panels when used in conjunction with the Divider Grommet Connector/Spacer.</p>						
 <p>Divider Grommet Connector/Spacer</p>	HXEPGCS	2.75 x 5.5 x 3.25	70	0.04	0.01	\$21
	 <p>Converts any divider grommet kit into a connector. Clamps two dividers together through the divider grommet opening. Can be located above or below the worksurface at pre-determined locations. Specify with the Divider Grommet Kit or use with the Divider Grommet Kit included in the Station 2-Circuit Power Kit. Made of injection molded ABS in Charcoal (CHR).</p> <ul style="list-style-type: none"> • For dual pod connection, only 1 HXEPGK is needed. 					
 <p>Softpod Height Adjustable Power Kit</p>	HXEHP11	8.06 x 22 x 21.5	150	5	1	\$872
	HXEHP12	8.06 x 22 x 21.5	150	5	1	\$872
	HXEHP22	8.06 x 22 x 21.5	150	5	1	\$872
	<p>Consists of two duplexes, cable basket and electrical housing. Accommodates one standard data plate (data cover included).</p> <ul style="list-style-type: none"> • Facilitates 2-circuit power delivery. • Facilitates interconnection of two stations. Please specify Station to Station Jumper Kit. • Specify duplex circuit #1, #2 or combination #1+2. • Ceiling or base feed not included. Specify separately. • Includes all connecting hardware and supporting brackets. 					

Required specifications

- PET felt finish*
- Grommet finish**

ACCESS DOOR MODULES

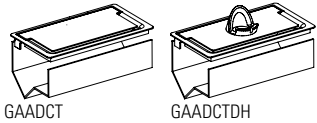


GAADG GAADGDH

Access Door Module

MODEL#	DIMENSIONS D x W x H	FREIGHT CLASS	WT./LBS.	CUBIC FT.	LIST PRICE
GAADG	5.54 x 10.09 x 1.08	--	2	0.04	\$96
GAADGDH	5.54 x 10.09 x 1.08	--	2	0.04	\$104

Soft close door is set back from edge to allow for cable pass thru when closed. Available in all standard base finishes. GAADGDH includes device holder for most mobile phones or tablets. Holder is only available in White. Softpod can only accommodate one grommet per worksurface.

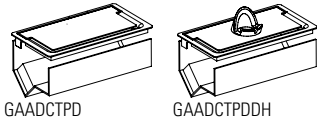


GAADCT GAADCTDH

Access Door Module w/Cable Tray

GAADCT	5.54 x 10.09 x 5.07	--	4	0.19	\$155
GAADCTDH	5.54 x 10.09 x 5.07	--	4	0.19	\$163

Soft close door is set back from edge to allow for cable pass thru when closed. Cable tray comes standard with one telecom knockout and platform to mount a power bar. Sides are open for easy access. Available in all standard base finishes. GAADCTDH includes device holder for most mobile phones or tablets. Holder is only available in White. SoftPOD can only accommodate one grommet per worksurface.



GAADCTPD GAADCTPDDH

Access Door Module w/Cable Tray and Power Bar

GAADCTPD	5.54 x 10.09 x 6.96	--	4	0.20	\$327
GAADCTPDDH	5.54 x 10.09 x 6.96	--	4	0.20	\$337

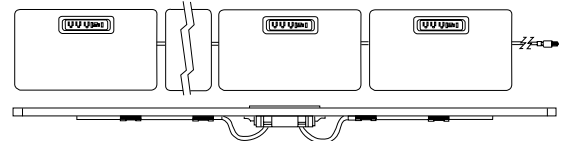
Soft close door is set back from edge to allow for cable pass thru when closed. Cable tray comes standard with one telecom knockout and platform to mount a powerbar. Power bar with 3 simplex and 2 USB, CSA Certified. Sides are open for easy access. Available in all standard base finishes. GAADCTPDDH includes device holder for most mobile phones or tablets. Holder is only available in White. SoftPOD can only accommodate one grommet per worksurface.

Required specifications

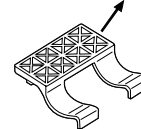
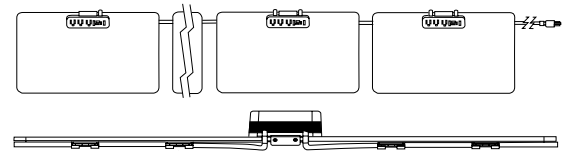
POWER/DATA	MODEL#	DIMENSIONS	FREIGHT CLASS	WT/LBS.	CUBIC FT.	LIST PRICE
------------	--------	------------	---------------	---------	-----------	------------

- Connect up to four units from a single infeed, delivering AC power and USB charging to the table tops.
- Two styles are available: in-surface modules or on-surface modules.
- Starter modules include 10' corded infeed with three prong NEMA plug.
- Touch safe easy to use connectors from module to module with added latch to prevent unintended separation.
- Each module features three tamper-resistant receptacles, USB-A and USB-C charging ports.
- Overall maximum length joined together not to exceed 48.5 feet per infeed.
- UL listed to **UL962A SD**, the standard for furniture power distribution units on portable/movable workspace tables.
- Certified to CSA standard **C22.2 No. 203-16**.
- When ordering in-surface modules be sure to select corresponding cut-out options when specifying tables. Specify **MPS** for a single centered cut-out on the approach side of the table or **MPD** for two cut-outs in the left and right hand positions. Upcharge will apply per cut-out. Surface must be a minimum of 0.5" to a maximum of 1.5" thick for proper mounting of the units.
- On-surface modules come with a clamp mount that will accommodate any material from 0.5" to 1.5" thick; additional brackets are also included for alternate screw in mounting options that can accommodate vertical or horizontal positions.
- In-surface cut-out dimensions: 7.15" x 2.25".

In Surface



On Surface



Cable management cord clips:
Included with each unit (2 clips per cord) and are available separately in packs of 10.

MODPOWER DAISY-CHAIN SOLUTION	MODEL#	DIMENSIONS	FREIGHT CLASS	WT/LBS.	CUBIC FT.	LIST PRICE
-------------------------------	--------	------------	---------------	---------	-----------	------------



ModPower In-Surface Starter Unit

PMDSF10MG	2.75 x 7.63 x 2.63	250	3.44	1	\$555
PMDSF10WH	2.75 x 7.63 x 2.63	250	3.44	1	\$555

Includes infeed, one 10' cord with NEMA plug and one 3' connector cord. Unit is equipped with three 15A tamper-resistant receptacles, one USB-A and one USB-C charging ports, and a circuit breaker. Four cable management cord clips included. Specify corresponding cut-out code when ordering table: single centered cut-out (**MPS**) or two cut-outs in left and right positions (**MPD**). Available in Magnesium (**MG**) or White (**WH**) finish as indicated by last characters of model number. UL listed: UL 962A.



ModPower In-Surface Middle Unit

PMDCF3MG	2.75 x 7.63 x 2.63	250	2.44	1	\$522
PMDCF3WH	2.75 x 7.63 x 2.63	250	2.44	1	\$522

Includes two 3' connector cords. Unit is equipped with three 15A rated 12A tamper-resistant receptacles, one USB-A and one USB-C charging ports, and a circuit breaker. Four cable management cord clips included. Specify corresponding cut-out code when ordering table: single centered cut-out (**MPS**) or two cut-outs in left and right positions (**MPD**). Available in Magnesium (**MG**) or White (**WH**) finish as indicated by last characters of model number. UL listed: UL 962A.



ModPower In-Surface End Unit

PMDEF3MG	2.75 x 7.63 x 2.63	70	1.85	1	\$457
PMDEF3WH	2.75 x 7.63 x 2.63	70	1.85	1	\$457

Includes one 3' connector cord. Unit is equipped with three 15A rated 12A tamper-resistant receptacles, one USB-A and one USB-C charging ports, and a circuit breaker. Two cable management cord clips included. Specify corresponding cut-out code when ordering table: single centered cut-out (**MPS**) or two cut-outs in left and right positions (**MPD**). Available in Magnesium (**MG**) or White (**WH**) finish as indicated by last characters of model number. UL listed: UL 962A.

MODPOWER/ELECTRICAL



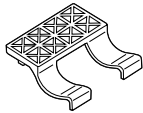
ModPower On-Surface Starter Unit



ModPower On-Surface Middle Unit



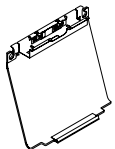
ModPower On-Surface End Unit



ModPower Cable Management Clips



ModPower Interconnecting Jumper



Station 2-Circuit Power Kit

MODEL#	DIMENSIONS D x W x H	FREIGHT CLASS	WT/LBS.	CUBIC FT.	LIST PRICE
PMDSA10MG	1.75 x 6.13 x 2.5	150	4.33	1	\$587
PMDSA10WH	1.75 x 6.13 x 2.5	150	4.33	1	\$587

Includes infeed, one 10' cord with NEMA plug and one 3' connector cord. Unit is equipped with three 15A tamper-resistant receptacles, one USB-A and one USB-C charging ports, and a circuit breaker. Includes edge clamp and three other mounting methods. Four cable management cord clips included. Available in Magnesium (**MG**) or White (**WH**) finish as indicated by last characters of model number. UL listed: UL 962A.

PMDEA3MG	1.75 x 6.13 x 2.5	250	3.33	1	\$555
PMDEA3WH	1.75 x 6.13 x 2.5	250	3.33	1	\$555

Includes two 3' connector cords. Unit is equipped with three 15A rated 12A tamper-resistant receptacles, one USB-A and one USB-C charging ports, and a circuit breaker. Includes edge clamp and three other mounting methods. Four cable management cord clips included. Available in Magnesium (**MG**) or White (**WH**) finish as indicated by last characters of model number. UL listed: UL 962A.

PMDEA3MG	1.75 x 6.13 x 2.5	250	2.75	1	\$489
PMDEA3WH	1.75 x 6.13 x 2.5	250	2.75	1	\$489

Includes one 3' connector cord. Unit is equipped with three 15A rated 12A tamper-resistant receptacles, one USB-A and one USB-C charging ports, and a circuit breaker. Includes edge clamp and three other mounting methods. Two cable management cord clips included. Available in Magnesium (**MG**) or White (**WH**) finish as indicated by last characters of model number. UL listed: UL 962A.

PMDCCLIPS	2.5 x 2.6 x .6	70	0.03	0.02	\$98
-----------	----------------	----	------	------	-------------

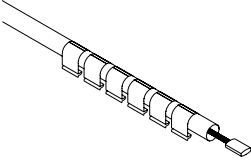
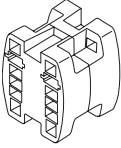
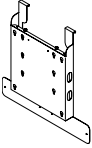
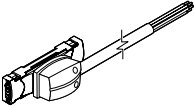
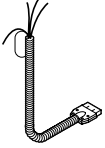

Package of 10 clips.

PMDJ36BK	-- x 36 x --	70	1.38	0.09	\$329
----------	--------------	----	------	------	--------------

Interconnection jumper cord to add an additional 3' of cord length between in-surface and on-surface ModPower units. 3' cord with male and female connector. Package of 2 jumpers. UL listed: UL 962A.

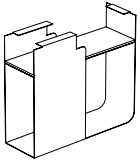
HXEPK11	9.73 x 23.5 x 20.85	300	3.92	2.76	\$463
HXEPK12	9.73 x 23.5 x 20.85	300	3.92	2.76	\$463
HXEPK22	9.73 x 23.5 x 20.85	300	3.92	2.76	\$463

Station 2-Circuit power kit consists of two duplexes, trough, cable shroud and divider grommet. Accommodates up to two standard data plates (data plates not included). Accommodates center mount single or dual screen monitor arm. Facilitates 2-circuit power delivery. Facilitates power connection between stations. Specify Station to Station Jumper Kit. Specify duplex circuit #1, #2 or combination of #1+2. Ceiling or base feed not included - specify separately. Trough is powder coated metal in Charcoal (CHR). Includes all connecting hardware, supporting brackets and through divider grommet.

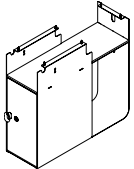
ELECTRICAL/ACCESSORIES	MODEL#	DIMENSIONS	FREIGHT CLASS	WT./LBS.	CUBIC FT.	LIST PRICE
 <p>Station to Station Jumper Kit</p>		D x W x H				
	HXEPPJ78	2 x 78.5 x 2	92.5	2	0.18	\$418
	HXEPPJ72	2 x 72.5 x 2	92.5	2	0.17	\$414
	HXEPPJ60	2 x 60.5 x 2	70	1	0.14	\$382
	HXEPPJ48	2 x 48.5 x 2	70	1	0.11	\$346
	HXEPPJ36	2 x 36.5 x 2	70	1	0.08	\$261
	HXEPPJ30	2 x 30.5 x 2	70	1	0.07	\$240
	HXEPPJ24	2 x 24.5 x 2	70	1	0.06	\$210
HXEPPJ18	2 x 18.5 x 2	70	1	0.04	\$191	
	Facilitates interconnection of two stations (under the worksurface). Black neoprene sock of equal length included. Mounting clips included (qty. based on length).					
 <p>Inline Coupler</p>	HX4CNT	1.5 x 1.5 x 3	70	0.48	0.05	\$51
	Used to connect two Station to Station jumper kits (HXEPPJxx).					
 <p>TV Mount</p>	HXTVMT	1.5 x 1.5 x 3	100	7.17	0.74	\$334
	Can be installed on Softpod dividers. TV and video conferencing units not included. Maximum TV size is 55". Note: TV frame must be securely attached to laminate panel. Care should be taken to attach TV frame using correct fasteners. Failure to do so may result in collapse of the unit and subsequent possible injury. TV mount can be installed on any straight dividers, on the seam between two straight dividers, on the seam between a straight divider and a j-divider, or between the long edges of two j-dividers. Cannot be installed on any height adjustable pod. Available in Black (BLK) only.					
 <p>Base Feed</p>	HXEBF	2 x 72 x 2	60	5.6	0.06	\$391
	Provides single power entry from floor into 2-Circuit Power Kit under worksurface. 6' long liquid tight whip plugs into the side of the left or right duplex. Must be hard wired to the building power supply by a licensed electrician. Base feed jumper included.					
 <p>Ceiling Feed</p>	HXECEF	2 x 144 x 2	60	5.6	0.06	\$266
	Ceiling feed plugs into side of left or right duplex mounted within the 2-Circuit Power Kit. 10' long metal conduit, ready to be hardwired to building power supply. Strain relief fitting provided; junction box is not included. To be used with HXECFP - Ceiling Feed Pole.					
 <p>Ceiling Pole*</p>	HXECFP	1.5 x 6 x 116	85	5.49	0.38	\$224
	Manages power and data cables between ceiling and worksurface. Aluminum extrusion with PVC cover secures to the divider grommet and passes below worksurface through the worksurface contoured recess. Includes mounting hardware and ceiling bezel. Hardware for securing the pole above ceiling tile is not included. Specify paint finish. Ceiling Feed HXECFP must be ordered separately. PVC cover is standard in Charcoal (CHR). Cover can be removed to access cabling inside.					

Required specifications
Laminate finish*

CASUAL STORAGE



Under Worksurface Casual Storage Unit



Under Worksurface Lockable Casual Storage Unit*

MODEL# DIMENSIONS FREIGHT CLASS WT/LBS. CUBIC FT. LIST PRICE

	D x W x H				
HXSCSO	24 x 8 x 21	150	20.18	4.22	\$486

Open storage with shelf; extension at the back provides side compartment. Sheet metal construction with PET felt liner, 24"D. Secures to bottom of worksurface.

- Select from standard PET and paint finishes.
- Order coat hook HXACHS, attaches to either left or right side of storage unit (sold separately).

HXSCSOL	24 x 8 x 21	100	37	4.22	\$1138
HXSCSOR	24 x 8 x 21	100	37	4.22	\$1138

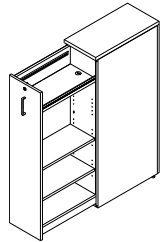
Open storage with shelf; extension at the back provides side compartment. Sheet metal construction with PET felt liner, 24"D. Secures to bottom of worksurface.

- Select from standard PET and paint finishes.
- Order coat hook HXACHS, attaches to either left or right side of storage unit (sold separately).
- Lockable cabinet with key - laminate with PVC edge. Specify finishes.
- *Cannot be installed on height adjustable Softpod.*

Required specifications

- Paint finish
- PET felt color
- Laminate finish*

PANTRY STORAGE **MODEL#** **DIMENSIONS** **FREIGHT CLASS** **WT./LBS.** **CUBIC FT.** **LIST PRICE** **HP ADD**



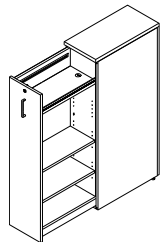
Left (NL) shown

Pantry Storage**

	D x W x H							
FFPO1224H54NL	24	12	54	70	138	9	\$2717	\$31
FFPO1230H54NL	30	12	54	85	153	11	\$2847	\$31
FFPO1236H54NL	36	12	54	92.5	167	14	\$2978	\$43
FFPO1224H54NR	24	12	54	70	138	9	\$2717	\$31
FFPO1230H54NR	30	12	54	85	153	11	\$2847	\$31
FFPO1236H54NR	36	12	54	92.5	167	14	\$2978	\$43
FFPO1824H54NL	24	18	54	92.5	166	14	\$3149	\$43
FFPO1830H54NL	30	18	54	92.5	182	17	\$3291	\$55
FFPO1836H54NL	36	18	54	100	197	20	\$3433	\$61
FFPO1824H54NR	24	18	54	92.5	166	14	\$3149	\$43
FFPO1830H54NR	30	18	54	92.5	182	17	\$3291	\$55
FFPO1836H54NR	36	18	54	100	197	20	\$3433	\$61

The pull out cabinet serves as a multifunctional, customizable storage unit that both defines space and enhances privacy in an open plan environment. Internal organization consists of two fixed shelves on the top and bottom. The two middle shelves are adjustable. Two accessory rails (each 18.25" long) are standard and will accept metal accessories (sold separately - see page 581). Interior cabinet shelves and back are standard in Designer White. Cabinet shell, drawer and top can be specified in any standard laminate. FFPOxxxx will not allow binders.

- For Dry-erase marker board, specify **DE** and **add \$418**. If specified, the dry-erase marker laminate will be applied to the external surface of the pull-out drawer side wall.



Left (NL) shown

Pantry Storage - w/USB**

FFPO1224H54NLUSB	24	12	54	70	138	9	\$3330	\$31
FFPO1230H54NLUSB	30	12	54	85	153	11	\$3460	\$31
FFPO1236H54NLUSB	36	12	54	92.5	167	14	\$3590	\$43
FFPO1224H54NRUSB	24	12	54	70	138	9	\$3330	\$31
FFPO1230H54NRUSB	30	12	54	85	153	11	\$3460	\$31
FFPO1236H54NRUSB	36	12	54	92.5	167	14	\$3590	\$43
FFPO1824H54NLUSB	24	18	54	92.5	166	14	\$3760	\$43
FFPO1830H54NLUSB	30	18	54	92.5	182	17	\$3904	\$55
FFPO1836H54NLUSB	36	18	54	100	197	20	\$4045	\$61
FFPO1824H54NRUSB	24	18	54	92.5	166	14	\$3760	\$43
FFPO1830H54NRUSB	30	18	54	92.5	182	17	\$3904	\$55
FFPO1836H54NRUSB	36	18	54	100	197	20	\$4045	\$61

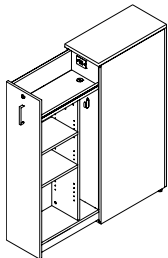
The pull out cabinet serves as a multifunctional, customizable storage unit that both defines space and enhances privacy in an open plan environment. Internal organization consists of two fixed shelves on the top and bottom. Top shelf comes with grey felt surface and grommet which allows for cable passage from the USB outlet (located below the top shelf). A 2-prong power cord exits the cabinet through the floor at the back. The two middle shelves are adjustable. Two accessory rails (each 18.25" long) are standard and will accept metal accessories (sold separately - see page 581). Interior cabinet shelves and back are standard in Designer White. Cabinet shell, drawer and top can be specified in any standard laminate. FFPOxxxx will not allow binders.

- For Dry-erase marker board, specify **DE** and **add \$418**. If specified, the dry-erase marker laminate will be applied to the external surface of the pull-out drawer side wall.

Required specifications
Laminate finish

Optional specifications
HP laminate
Dry-erase board

PANTRY STORAGE	MODEL#	DIMENSIONS	FREIGHT CLASS	WT/LBS.	CUBIC FT.	LIST PRICE	HP ADD
		D x W x H					
	FFPW1224H42NL	24 x 12 x 42	70	128	7	\$2969	\$34
	FFPW1230H42NL	30 x 12 x 42	70	143	9	\$3105	\$41
	FFPW1236H42NL	36 x 12 x 42	85	157	11	\$3238	\$51
	FFPW1824H42NL	24 x 18 x 42	85	156	11	\$3438	\$52
	FFPW1830H42NL	30 x 18 x 42	85	172	13	\$3588	\$63
	FFPW1836H42NL	36 x 18 x 42	92.5	187	16	\$3738	\$76
	FFPW1224NL	24 x 12 x 50	70	133	8	\$3236	\$30
	FFPW1230NL	30 x 12 x 50	85	148	10	\$3378	\$59
	FFPW1236NL	36 x 12 x 50	92.5	162	15	\$3521	\$85
	FFPW1824NL	24 x 18 x 50	85	161	12	\$3781	\$59
	FFPW1830NL	30 x 18 x 50	92.5	177	15	\$3935	\$97
	FFPW1836NL	36 x 18 x 50	92.5	192	18	\$4091	\$128
	FFPW1224H54NL	24 x 12 x 54	70	138	9	\$3298	\$32
	FFPW1230H54NL	30 x 12 x 54	85	153	11	\$3439	\$38
	FFPW1236H54NL	36 x 12 x 54	92.5	167	14	\$3583	\$44
	FFPW1824H54NL	24 x 18 x 54	92.5	166	14	\$3855	\$44
	FFPW1830H54NL	30 x 18 x 54	92.5	182	17	\$4009	\$57
	FFPW1836H54NL	36 x 18 x 54	100	197	20	\$4166	\$64
	FFPW1224H42NR	24 x 12 x 42	70	128	7	\$2969	\$34
	FFPW1230H42NR	30 x 12 x 42	70	143	9	\$3105	\$41
	FFPW1236H42NR	36 x 12 x 42	85	157	11	\$3238	\$51
	FFPW1824H42NR	24 x 18 x 42	85	156	11	\$3438	\$52
	FFPW1830H42NR	30 x 18 x 42	85	172	13	\$3588	\$63
	FFPW1836H42NR	36 x 18 x 42	92.5	187	16	\$3738	\$76
	FFPW1224NR	24 x 12 x 50	70	133	8	\$3236	\$30
	FFPW1230NR	30 x 12 x 50	85	148	10	\$3378	\$59
	FFPW1236NR	36 x 12 x 50	92.5	162	15	\$3521	\$85
	FFPW1824NR	24 x 18 x 50	85	161	12	\$3781	\$59
	FFPW1830NR	30 x 18 x 50	92.5	177	15	\$3935	\$97
	FFPW1836NR	36 x 18 x 50	92.5	192	18	\$4091	\$128
	FFPW1224H54NR	24 x 12 x 54	70	138	9	\$3298	\$32
	FFPW1230H54NR	30 x 12 x 54	85	153	11	\$3439	\$38
	FFPW1236H54NR	36 x 12 x 54	92.5	167	14	\$3583	\$44
	FFPW1824H54NR	24 x 18 x 54	92.5	166	14	\$3855	\$44
	FFPW1830H54NR	30 x 18 x 54	92.5	182	17	\$4009	\$57
	FFPW1836H54NR	36 x 18 x 54	100	197	20	\$4166	\$64



Left (NL) shown

Pantry Storage w/Wardrobe

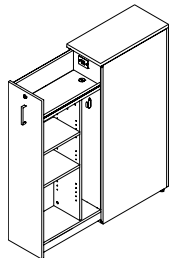
The pull out cabinet serves as a multifunctional, customizable storage unit that both defines space and enhances privacy in an open plan environment. Internal organization consists of one fixed shelf at the top. The two middle shelves are adjustable. Wardrobe includes coat hook. Interior cabinet shelves and back are standard in Designer White. Cabinet shell, drawer and top can be specified in any standard laminate. FFPW12xx will not accept binders.

- For Dry-erase marker board, specify **DE** and **add \$418**. If specified, the dry-erase marker laminate will be applied to the external surface of the pull-out drawer side wall.

Required specifications
Laminate finish

Optional specifications
HP laminate
Dry-erase board

PANTRY STORAGE	MODEL#	DIMENSIONS	FREIGHT CLASS	WT/LBS.	CUBIC FT.	LIST PRICE	HP ADD
		D x W x H					
	FFPW1224H42NLUSB	24 x 12 x 42	70	128	7	\$3645	\$34
	FFPW1230H42NLUSB	30 x 12 x 42	70	143	9	\$3781	\$41
	FFPW1236H42NLUSB	36 x 12 x 42	85	157	11	\$3914	\$51
	FFPW1824H42NLUSB	24 x 18 x 42	85	158	11	\$4115	\$52
	FFPW1830H42NLUSB	30 x 18 x 42	85	172	13	\$4266	\$63
	FFPW1836H42NLUSB	36 x 18 x 42	92.5	187	16	\$4415	\$76
	FFPW1224NLUSB	24 x 12 x 50	70	133	8	\$3912	\$30
	FFPW1230NLUSB	30 x 12 x 50	85	148	10	\$4055	\$59
	FFPW1236NLUSB	36 x 12 x 50	92.5	162	15	\$4199	\$85
	FFPW1824NLUSB	24 x 18 x 50	85	161	12	\$4459	\$59
	FFPW1830NLUSB	30 x 18 x 50	92.5	177	15	\$4611	\$97
	FFPW1836NLUSB	36 x 18 x 50	92.5	192	18	\$4767	\$128
	FFPW1224H54NLUSB	24 x 12 x 54	70	138	9	\$3975	\$32
	FFPW1230H54NLUSB	30 x 12 x 54	85	153	11	\$4117	\$38
	FFPW1236H54NLUSB	36 x 12 x 54	92.5	167	14	\$4260	\$44
	FFPW1824H54NLUSB	24 x 18 x 54	92.5	166	14	\$4531	\$44
	FFPW1830H54NLUSB	30 x 18 x 54	92.5	182	17	\$4686	\$57
	FFPW1836H54NLUSB	36 x 18 x 54	100	197	20	\$4842	\$64
	FFPW1224H42NRUSB	24 x 12 x 42	70	128	7	\$3645	\$34
	FFPW1230H42NRUSB	30 x 12 x 42	70	143	9	\$3781	\$41
	FFPW1236H42NRUSB	36 x 12 x 42	85	157	11	\$3914	\$51
	FFPW1824H42NRUSB	24 x 18 x 42	85	158	11	\$4115	\$52
	FFPW1830H42NRUSB	30 x 18 x 42	85	172	13	\$4266	\$63
	FFPW1836H42NRUSB	36 x 18 x 42	92.5	187	16	\$4415	\$76
	FFPW1224NRUSB	24 x 12 x 50	70	133	8	\$3912	\$30
	FFPW1230NRUSB	30 x 12 x 50	85	148	10	\$4055	\$59
	FFPW1236NRUSB	36 x 12 x 50	92.5	162	15	\$4199	\$85
	FFPW1824NRUSB	24 x 18 x 50	85	161	12	\$4459	\$59
	FFPW1830NRUSB	30 x 18 x 50	92.5	177	15	\$4611	\$97
	FFPW1836NRUSB	36 x 18 x 50	92.5	192	18	\$4767	\$128
	FFPW1224H54NRUSB	24 x 12 x 54	70	138	9	\$3975	\$32
	FFPW1230H54NRUSB	30 x 12 x 54	85	153	11	\$4117	\$38
	FFPW1236H54NRUSB	36 x 12 x 54	92.5	167	14	\$4260	\$44
	FFPW1824H54NRUSB	24 x 18 x 54	92.5	166	14	\$4531	\$44
	FFPW1830H54NRUSB	30 x 18 x 54	92.5	182	17	\$4686	\$57
	FFPW1836H54NRUSB	36 x 18 x 54	100	197	20	\$4842	\$64



Left (NL) shown

Pantry Storage w/Wardrobe and USB

The pull out cabinet serves as a multifunctional, customizable storage unit that both defines space and enhances privacy in an open plan environment. Internal organization consists of one fixed shelf at the top. Top shelf comes with grey felt surface and grommet which allows for cable passage from the USB outlet (located below the top shelf). USB outlet includes one USB-A and one USB-C port. A 2-prong power cord exits the cabinet through the floor at the back. The two middle shelves are adjustable. Wardrobe includes coat hook. Interior cabinet shelves and back are standard in Designer White. Cabinet shell, drawer and top can be specified in any standard laminate. FFPW12xx will not accept binders.

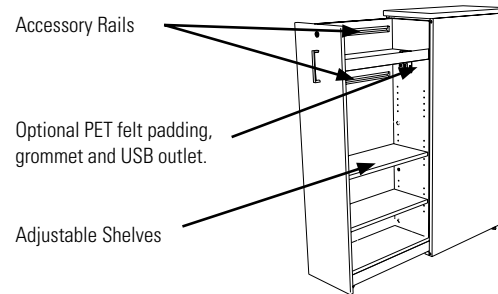
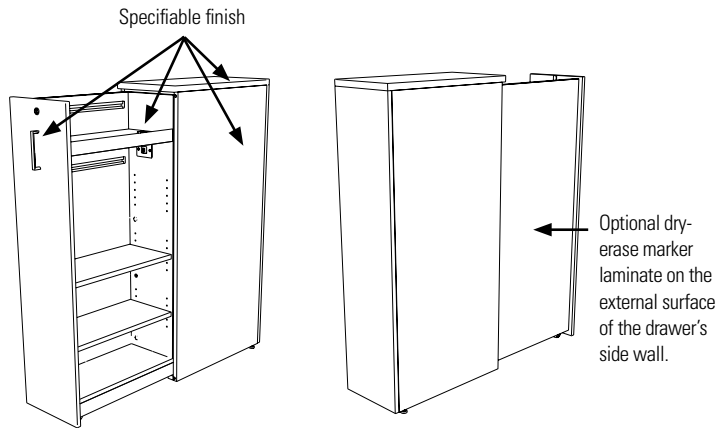
- For Dry-erase marker board, specify **DE** and **add \$418**. If specified, the dry-erase marker laminate will be applied to the external surface of the pull-out drawer side wall.

Required specifications
Laminate finish

Optional specifications
HP laminate
Dry-erase board

PANTRY STORAGE NOTES

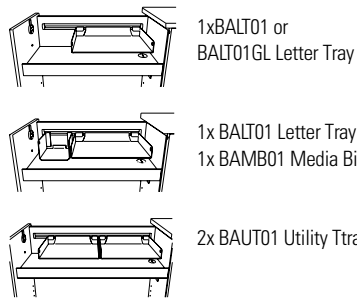
PANTRY STORAGE



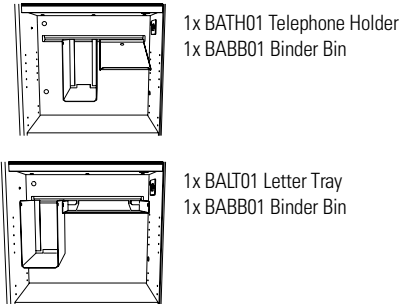
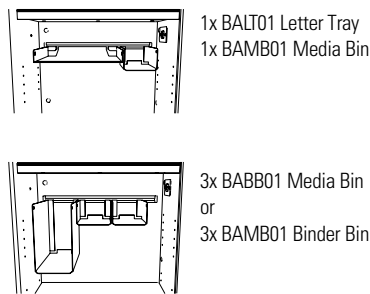
Integrated accessory rails

Two accessory rails (each 18.25" long) are provided to further enhance customization with metal accessories.

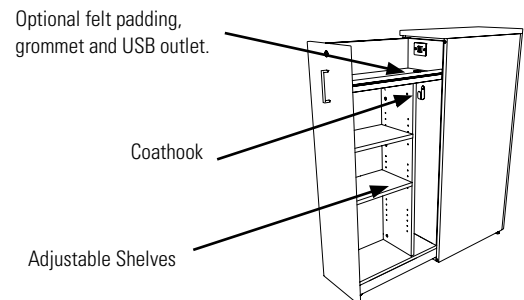
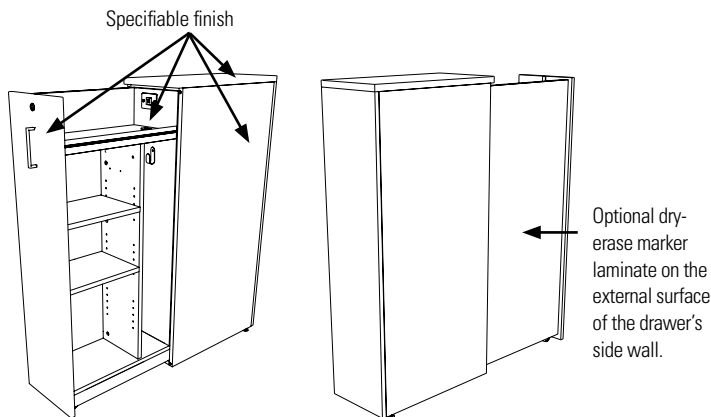
Upper Accessory Rail:

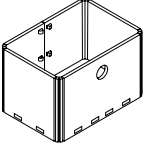
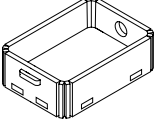
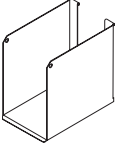
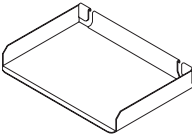
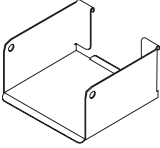
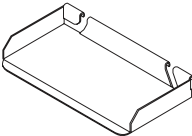
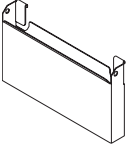


Lower Accessory Rail:



WARDROBE PANTRY STORAGE

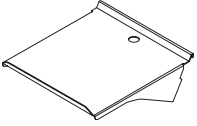
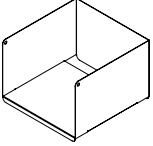


PANTRY ACCESSORIES	MODEL#	DIMENSIONS	FREIGHT CLASS	WT/LBS.	CUBIC FT.	LIST PRICE
 <p>Felt Pantry Storage Bin*</p>		D x W x H				
	FFPSB0912	8.6 x 11.8 x 7.5	70	8.6	0.03	\$72
<p>Crafted from recycled PET felt, felt bins are an intuitive and versatile organization solution within pantry units. Felt is 9mm. Specify finish.</p>						
 <p>Felt Pantry Storage Tray*</p>						
	FFPST0609	5.9 x 8.6 x 2.6	70	0.28	0.08	\$30
<p>Crafted from recycled PET felt, felt trays are an intuitive and versatile organization solution within pantry units. Felt is 9mm. Specify finish.</p>						
 <p>Binder Bin**</p>						
	BABB01	10.25 x 4 x 9	100	2	.21	\$75
<p>Load bar/accessory rail mounted metal binder bin.</p>						
 <p>Letter/Legal Tray**</p>						
	BALT01 (Letter)	9.25 x 13.5 x 2	70	.05	.15	\$62
	BALT01LGL (Legal)	9.25 x 15 x 2	70	.05	.15	\$76
<p>Load bar/accessory rail mounted metal letter or legal tray.</p>						
 <p>Media Bin**</p>						
	BAMB01	5.25 x 5.75 x 3	70	.08	.05	\$62
<p>Load bar/accessory rail mounted metal media bin.</p>						
 <p>Utility Tray**</p>						
	BAUT01	3.75 x 5.75 x 3	70	.05	.02	\$41
<p>Load bar/accessory rail mounted metal utility tray.</p>						
 <p>Mail Box**</p>						
	BAPP01	2.75 x 16 x 9	100	2	.25	\$94
<p>Load bar/accessory rail mounted metal mail box.</p>						

Required specifications

Pet felt finish*

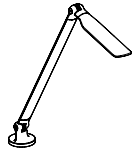
Paint finish**

PANTRY ACCESSORIES	MODEL#	DIMENSIONS D x W x H	FREIGHT CLASS	WT./LBS.	CUBIC FT.	LIST PRICE
 <p>Telephone Holder</p>	BATH01	10 x 9 x 2	125	2	.26	\$91
 <p>Elevated Shelf Binder Bin</p>	BRTEBIBIN	12 x 12 x 8	100	6	.66	\$193

Required specifications
Paint finish

PANTRY STORAGE	MODEL#	DIMENSIONS	FREIGHT CLASS	WT/LBS.	CUBIC FT.	LIST PRICE	HP ADD
D x W x H							
Mounting Options for Voyage and Revo Lights:							
Freestanding Base (FS)							
Freestanding Base with USB charge port (FSUSB) - Add \$110 .							
Surface Mount (SM)							
Clamp Mount (CM)							

REVO + VOYAGE	MODEL#	DIMENSIONS	FREIGHT CLASS	WT/LBS.	CUBIC FT.	LIST PRICE
---------------	--------	------------	---------------	---------	-----------	------------

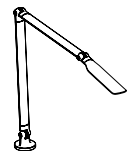


Voyage - Single Arm

LINLAMPS	6 x 6 x 14.1	60	2.66	.01	\$709
----------	--------------	----	------	-----	--------------

Fully articulating body with single arm. 6' power cord. Touch and hold dimming capability, with auto shut-off after 10 hours. Brightness adjustment from 100% to 15%. 18 fractional LEDs, 337 lumens, 3500K color temperature. 85 CRI. 94% post consumer recyclability by weight. Available in Black (BLK), White (WHT) and Silver (SLV). Mounting accessories sold separately (see above). Optional integrated USB port in base (**FSUSB**) allows for charging of mobile devices. UL Listed: UL 1153:2014.

- Occupancy Sensor (**OS**) - Add **\$83**



Voyage - Double Arm

LINLAMPD	6 x 6 x 21.6	60	2.66	.01	\$726
----------	--------------	----	------	-----	--------------

Fully articulating body with double arm. 6' power cord. Touch and hold dimming capability, with auto shut-off after 10 hours. Brightness adjustment from 100% to 15%. 18 fractional LEDs, 337 lumens, 3500K color temperature. 85 CRI. 94% post consumer recyclability by weight. Available in Black (BLK), White (WHT) and Silver (SLV). Mounting accessories sold separately (see above). Optional integrated USB port in base (**FSUSB**) allows for charging of mobile devices. UL Listed: UL 1153:2014.

- Occupancy Sensor (**OS**) - Add **\$83**

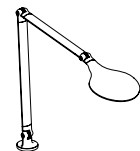


Revo - Single Arm

RNDLAMPS	6 x 6 x 14.1	60	2.66	.01	\$709
----------	--------------	----	------	-----	--------------

Fully articulating body with single arm. 6' power cord. Touch and hold dimming capability, with auto shut-off after 10 hours. Brightness adjustment from 100% to 15%. 18 fractional LEDs, 294 lumens, 3500K color temperature. 85 CRI. 94% post consumer recyclability by weight. Available in Black (BLK), White (WHT) and Silver (SLV). Mounting accessories sold separately (see above). Optional integrated USB port in base (**FSUSB**) allows for charging of mobile devices. UL Listed: UL 1153:2014.

- Occupancy Sensor (**OS**) - Add **\$83**



Revo - Double Arm

RNDLAMPD	6 x 6 x 21.6	60	2.66	.01	\$726
----------	--------------	----	------	-----	--------------

Fully articulating body with double arm. 6' power cord. Touch and hold dimming capability, with auto shut-off after 10 hours. Brightness adjustment from 100% to 15%. 18 fractional LEDs, 294 lumens, 3500K color temperature. 85 CRI. 94% post consumer recyclability by weight. Available in Black (BLK), White (WHT) and Silver (SLV). Mounting accessories sold separately (see above). Optional integrated USB port in base (**FSUSB**) allows for charging of mobile devices. UL Listed: UL 1153:2014.

- Occupancy Sensor (**OS**) - Add **\$83**

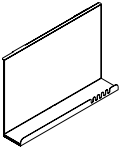
Required Specifications

Finish
Mount

Optional Specifications

Occupancy Sensor

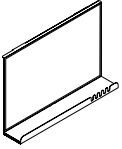
TASK LIGHTING



Hanging Shelf*

	D x W x H						
HXAHS	3 x 23.5 x 16	150	8.8	1.91	\$155	n/a	

Suspends from the divider's top reveal. Installed board measures 16" from top; 9" from top of worksurface. Shelf is painted metal, tray insert is PET felt. Magnetic.



Hanging Shelf w/Dry Erase Board*

HXAHSWB	3 x 23.5 x 16	150	9.57	1.91	\$592	n/a	
---------	---------------	-----	------	------	--------------	-----	--

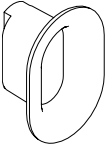
Suspends from the divider's top reveal. Installed board measures 16" from top; 9" from top of worksurface. White surface, painted metal frame, tray insert is PET felt. Magnetic.



Rear Wall Shelf**

HXARWS	4.5 x 32.25 x 0.75	250	2.8	1.13	\$158	\$44	
--------	--------------------	-----	-----	------	--------------	-------------	--

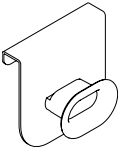
3/4" laminate shelf; non-handed, with pre-determined mounting points. 2.5" front radii. *Not compatible with Ceiling Feed Pole or any monitor mounts.*



Coat/Bag Hook for Dividers*

HXACHS	0.75 x 1.25 x 2	70	0.05	0.01	\$45	n/a	
--------	-----------------	----	------	------	-------------	-----	--

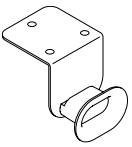
Can be installed anywhere along the divider perimeter reveal or either side of the Under Surface Casual Storage Unit. Made of die-cast aluminum; plug insert is PET felt.



Coat/Bag Hook for Divider Edge*

HXACHT	0.75 x 1.25 x 2	70	0.23	0.01	\$53	n/a	
--------	-----------------	----	------	------	-------------	-----	--

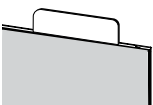
Can be installed anywhere along the divider perimeter reveal or either or both sides of any divider. Made of die-cast aluminum with steel brackets; plug insert is PET felt.



Under Surface Bag Hook*

HXABH	0.75 x 1.25 x 2	70	0.18	0.01	\$49	n/a	
-------	-----------------	----	------	------	-------------	-----	--

Can be secured to the bottom of worksurface. Made of die-cast aluminum with steel brackets; plug insert is PET felt.



Name Plate

HXNP	0.5 x 10.75 x 3.625	70	0.26	0.01	\$90	n/a	
------	---------------------	----	------	------	-------------	-----	--

Sits inside the divider top reveal. Two-sided white dry erase surface laminated to 1/2" PET felt. Can be mounted horizontally or vertically.

Required specifications

- Paint finish*
- Laminate finish**
- PET felt color*

Optional Specifications

- HP laminate**

productivity solutions



Productivity Solutions 584