

PRIVA NOTES

GENERAL INFORMATION

- Priva is an acoustic phone booth that inhibits sound transmission between the interior and exterior creating a private room-in-room for workplace applications.

CONSTRUCTION

- Exterior is clad in 3/4" thermally fused laminate with a 10mm tempered glass door and glass (POD1G) or laminate back panel (POD1L).
- Exterior corner details are made of extruded aluminum
- Internal frame is comprised of 14 gauge steel beams
- Interior is clad in PET (recommended for greater acoustic properties)
- Laminate interior is optional.
- Pod ceiling is Designer White laminate
- Interior carpet flooring is comprised of eco-friendly Nylon fiber, solution dyed with a polypropylene backing.
- Laminate touch-down shelf is standard in Designer White (DWT) laminate.
- Ventilation fan and LED lights included.

DIMENSIONS

- Exterior: 44"w x 38"d x 88"h
- Interior: 36"w x 36"d x 80"h
- Door: 32"w x 88"h
- Shelf: 24"w x 8"d x 40"h

POWER + CONNECTIVITY

- 2 AC outlets and 2 charging USB-A ports coupled with an occupancy sensor controlling two 12V DC fans and an LED light circuit, ensuring comfort in even the smallest of enclosed spaces, while keeping power consumption at a minimum.

ACOUSTIC RATINGS

- NIC-36, STI 0.07

AIRFLOW SPECIFICATIONS

- CFM 55

Exterior Laminate Finishes

Absolute Acajou	ACJ
Asian Night	ASN
Black	BLK
Brushed Cobalt	BRC
Clear Maple	CMB
Dark Espresso	DES
Designer White	DWT
Noce Biondo	NBL
Noce Grigio	NGL
Noce Leggero	NEL
Noce Medio	NML
Storm Grey	SOG
Walnut Heights	WHE
White Chocolate	WHC
Winter Cherry	WCR

Exterior Frame Finishes

Black	BK
Charcoal	CR
Designer White	DW
Tungsten	TU

Hardware Finishes (Handle + Hinge)

Black	BK
Silver	SI

Interior Finishes - Select Laminate or PET

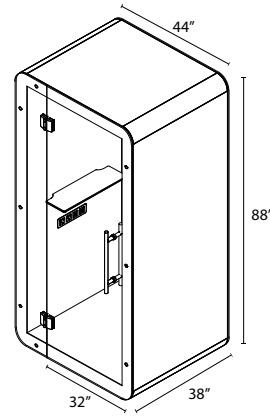
PET

Graphite	GPH
Pewter	PWT
Mist	MTS

Laminate

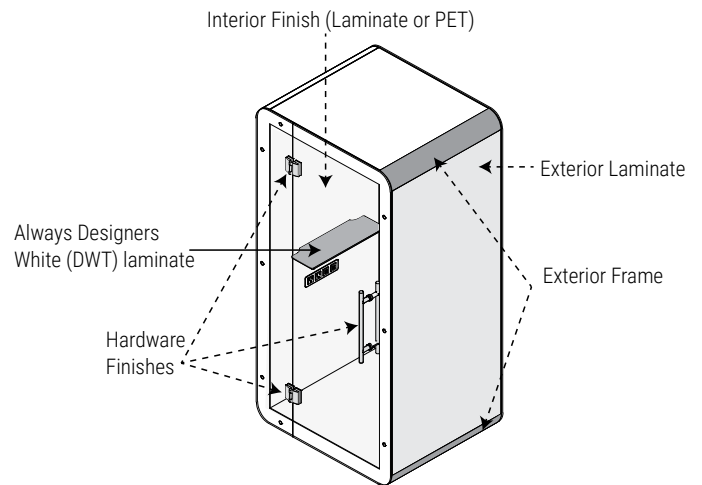
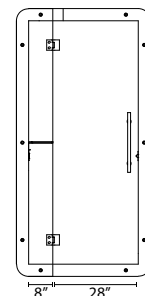
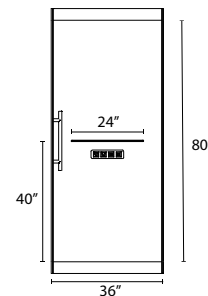
Black	BLK
Designer White	DWT
Storm grey	SOG

Exterior Dimensions

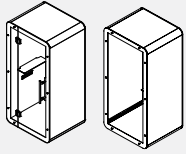


Interior Dimensions - Side View

Interior Dimensions - Front View



POD1G • Single User Pod - Glass Back Panel

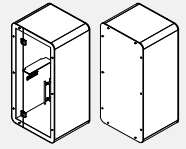


Front View/Rear View

- Acoustic phone booth that inhibits sound transmission between the interior and exterior creating a private room-in-room for workplace application.
- Acoustic pod includes exterior with aluminum frame.
- Felt interior provides acoustic privacy.
- Laminate interior optional for easy cleaning.
- Door is 10mm tempered glass.
- Back panel is glass.

PRODUCT CODE	PRICE	SIZE / INCHES			WEIGHT		VOL	
		H	W	D	LBS	FT ³		
POD1G	20984	88	44	38	1323	44.80		

POD1L • Single User Pod - Laminate Back Panel



Front View/Rear View

- Acoustic phone booth that inhibits sound transmission between the interior and exterior creating a private room-in-room for workplace application.
- Acoustic pod includes exterior with aluminum frame.
- PET interior provides acoustic privacy.
- Laminate interior optional for easy cleaning.
- Door is 10mm tempered glass.
- Back panel is laminate.

PRODUCT CODE	PRICE	SIZE / INCHES			WEIGHT		VOL	
		H	W	D	LBS	FT ³		
POD1L	20984	88	44	38	1323	44.80		