

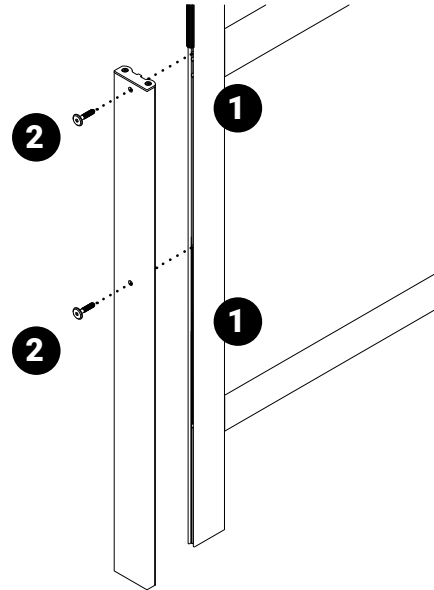
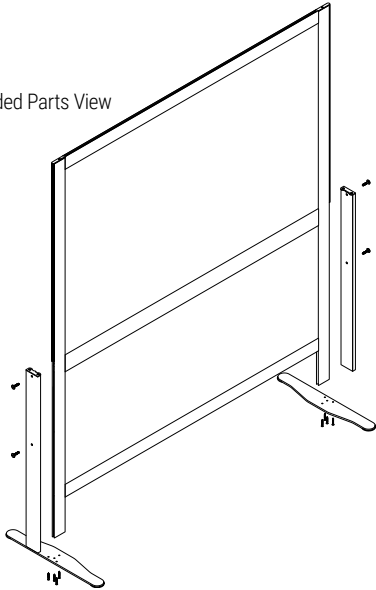
INSTALLATIONS GUIDELINES

Freestanding Divider Screen With Flat Feet GCUPFSFxxxx, GCUPNSFxxxx, GCUPSHFxxxx

STEP 1: Align holes in the vertical extrusion with threaded holes in the divider.

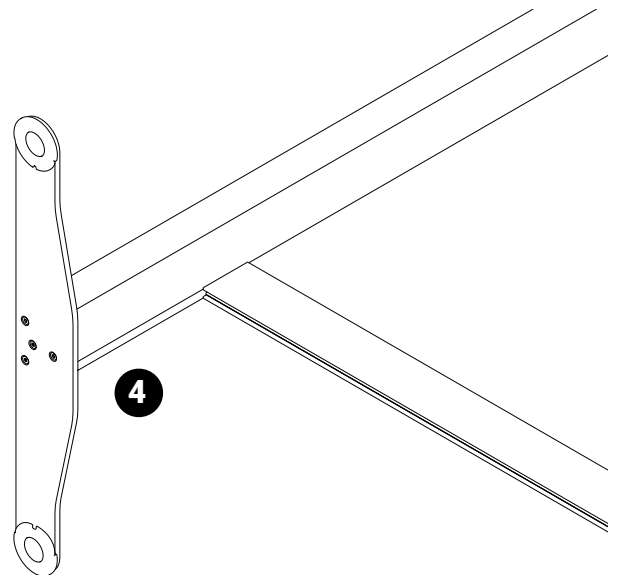
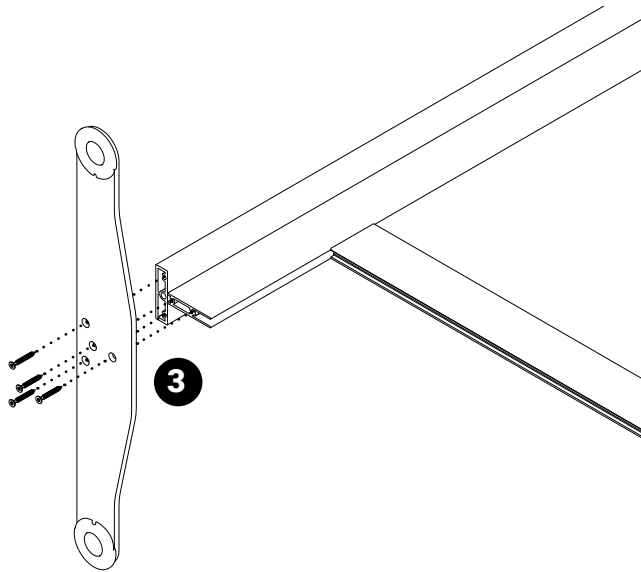
STEP 2: Secure the extrusion with supplied 1/4-20 machine screws.

Exploded Parts View



STEP 3: Align holes in the base with extruded screw ports.

STEP 4: Secure the base with supplied thread-cutting screws.

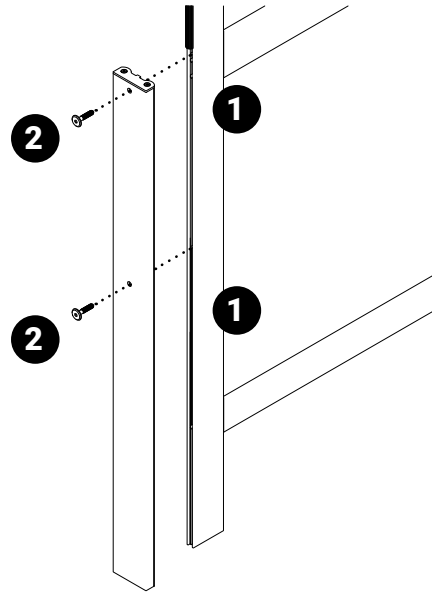
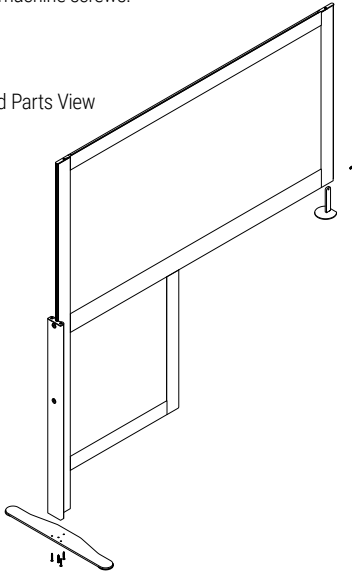


Shared Divider Screen GCUPSHFxxxx, GCUPSHPxxxx

STEP 1: Align holes in the vertical extrusion with threaded holes in the divider.

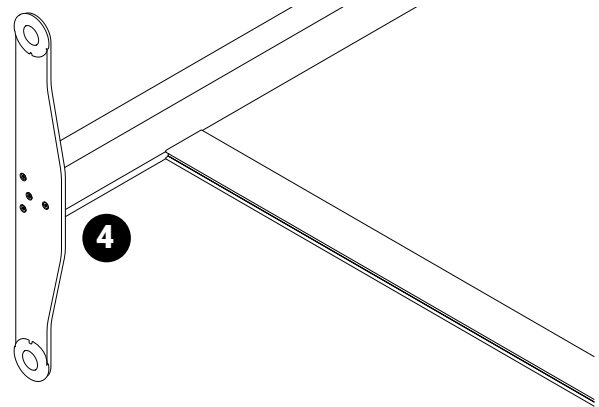
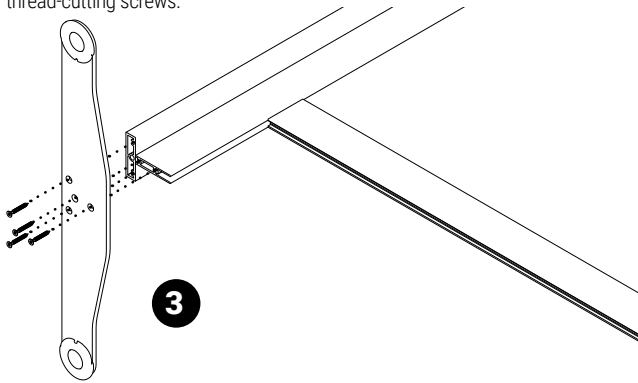
STEP 2: Secure the extrusion with supplied 1/4-20 machine screws.

Exploded Parts View



STEP 3: Align holes in the base with extruded screw ports.

STEP 4: Secure the base with supplied thread-cutting screws.



STEP 5: Insert the rear bracket into the divider's short vertical extrusion.

STEP 6: Place the divider in its final position, adjust the bracket to ensure the divider is levelled and tighten the bracket screw.

