

Installation Guide

Effective May 2020

# CONSULTATION booth

wellness solutions



# CONSULTATION BOOTH INSTALLATION GUIDE

## Consultation Booth

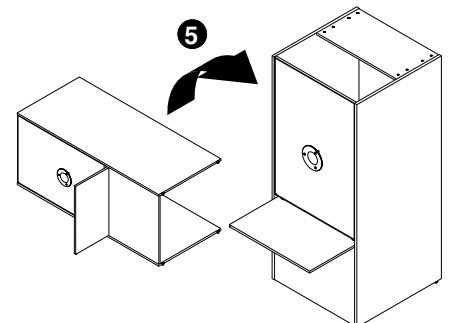
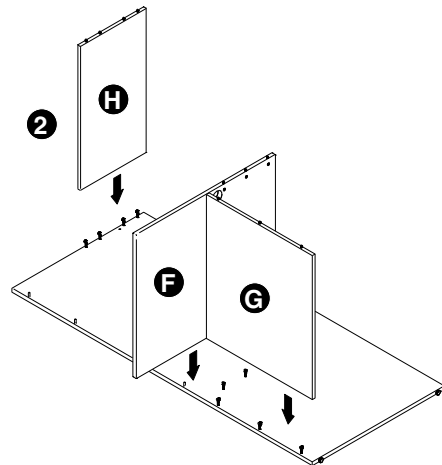
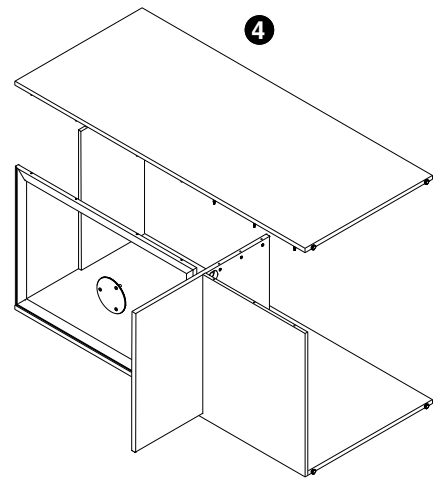
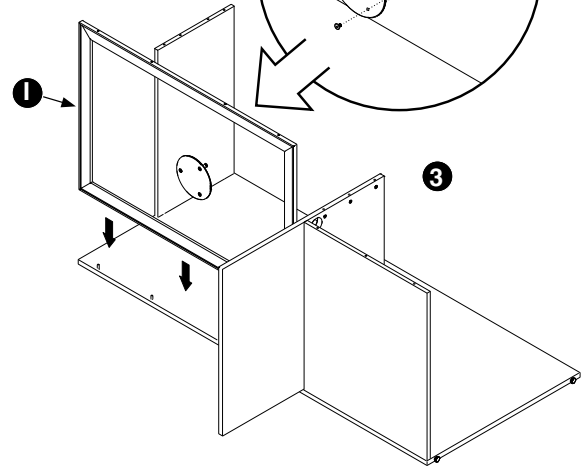
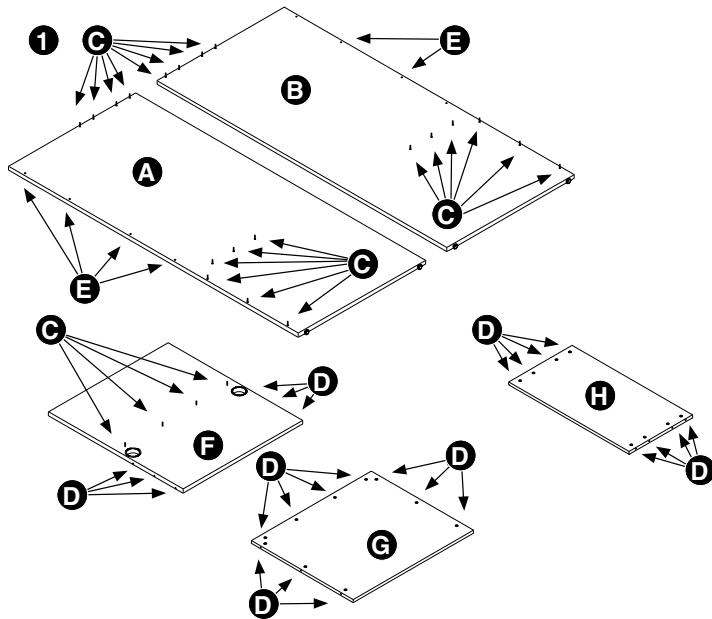
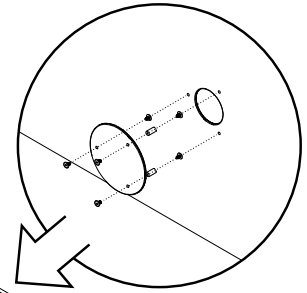
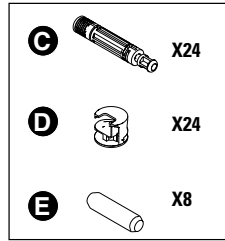
STEP 1: Place left (A) & right (B) gables side by side with holes facing up. Install all Titus connector (C), Cams (D) and wood dowels (E). Do the same for the work surface (F), front panel (G) and roof panel (H).

2. Place Worksurface (F), Front Panel (G) and Roof Panel (H) vertically onto one of the gables.

3. Place Framed Front Screen (I) vertically onto the gable as well. Please choose which position you want the screen in (1.5" or 4" above work surface).

4. Place other gable onto assembly to complete the enclosure. Now tighten all cams to secure all panels.

5. Grab the unit from the top and pivot until upright.



## Consultation Booth Ceiling Feed

Ceiling feed harness has already been connected and conduit is hanging down from ceiling. Choose which side of the booth you would like to install the ceiling feed. Position that side of the Consultation Booth below the hanging conduit.

**STEP 1:** Place the ceiling feed post (A) with long side against the wall and short side against the aluminum frame.

**STEP 2:** Assemble the post support (B) using the screw (C) and spacer (D). They are fastened to the support using one of the open holes. "Spacer Image" below shows which hole to use.

**STEP 3:** Fish the electrical conduit (F) through worksurface grommet (G).

**STEP 4:** Remove double-sided tape backing (E) on the post support (B). Lift up the post (A) and slide the post support (B) between worksurface and post (A). The spacer (D) must push the post against the wall and aluminum frame.

**STEP 5:** Flex the Ceiling Feed Bezel (I) so that it fits over the Post (A). Secure the Bezel (I) to the ceiling with 4 screws (J).

**STEP 6:** Snap in the Ceiling Feed Cover (H) to the Post (A).

