



2 together



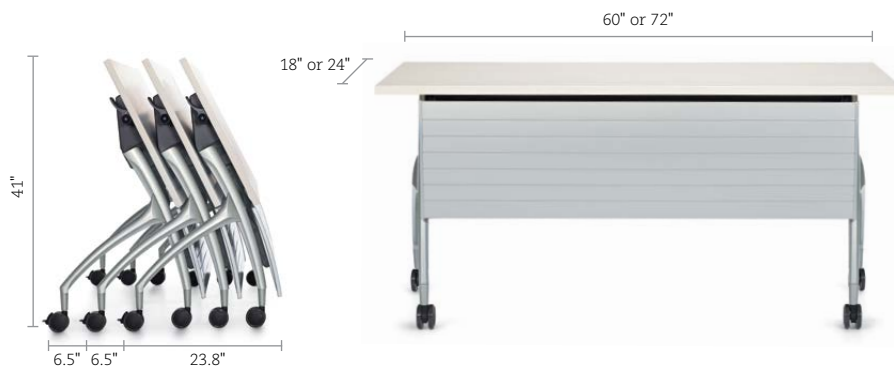
Flip up, fold down, roll away



2gether™ creates dynamic spaces for people to easily connect and learn. Join in rows for the next seminar, rearrange in groups to exchange ideas or fold down and roll away until needed again. 2gether works great and looks great in any setting, any time.

Additional information can be found on the Global [website](#).

A small footprint for a large benefit



Flip-top tables shown in White Chocolate. Roma seating shown.

It's in the details



Nested flip-top table with optional modesty panel shown with 60" top.



Adjustable leveling casters and two locking casters on back legs are standard



Intuitive 'easy touch' lever located at either table end releases mechanism for effortless movement of table surface (fixed table top models also available)



Bumpers on legs and undercarriage provide protection while nested



Offset "Y" leg allows for in line space saving when nested



Wire management with integrated trough underneath table



Optional articulating modesty panel

Please visit globalfurnituregroup.com for additional product information including industry and environmental certifications.
Cover and above: Flip-top tables shown in White Chocolate.



U.S.A.
Global Furniture Group
17 West Stow Road P.O. Box 562
Marlton New Jersey U.S.A. 08053
Tel (856) 596-2390 (800) 220-1900

Canada
Global Furniture Group
1350 Flint Rd., Toronto Ontario Canada M3J 2J7
Sales & Marketing: Tel (1-877) 446-2251

International
Global Furniture Group
560 Supertest Road, Toronto
Ontario Canada M3J 2M6
Tel (416) 661-3660 (800) 668-5870

Offices throughout Canada, United States, United Kingdom and Brazil. Distribution around the world. A member of Global Furniture Group. © 2022 ®™ Trademarks of Global Furniture Group. These products may be covered by one or more issued patents or pending patent applications in Canada, the U.S. and elsewhere. All intellectual property rights in applicable trademarks, patents and industrial designs are strictly reserved. Made in Canada. Specifications are correct at time of printing. Printed in Canada. Creative / Global Design Center 101122 18.0007